

# Valtek® Multi-Z Severe Service Valves



## Eliminate cavitation in high pressure drop applications

Operators in the power generation, oil and gas, and chemical industries are frequently confronted with extreme pressure differentials in their processes. To combat this, they need valves with continuous, steady-state flow curves with appropriate flow characteristics and long and uniform service life as well as low maintenance costs.

The Valtek® Multi-Z axial flow control valve eliminates cavitation often associated with high pressure drops. It is ideal for processes with entrained solids and in services where high rangeability is required.

Available in globe and angle configurations as well as a variety of standard materials, the Multi-Z valve:

- Effectively minimizes noise levels
- Passes solids up to 30.4 mm (1.2 in) without plugging
- Utilizes long strokes for finer control resolution

In addition to standard trims, a wide range of engineered trims are available with customized capacity and cavitation resistance for unusual or difficult applications.

### Avoid costly safety recertification

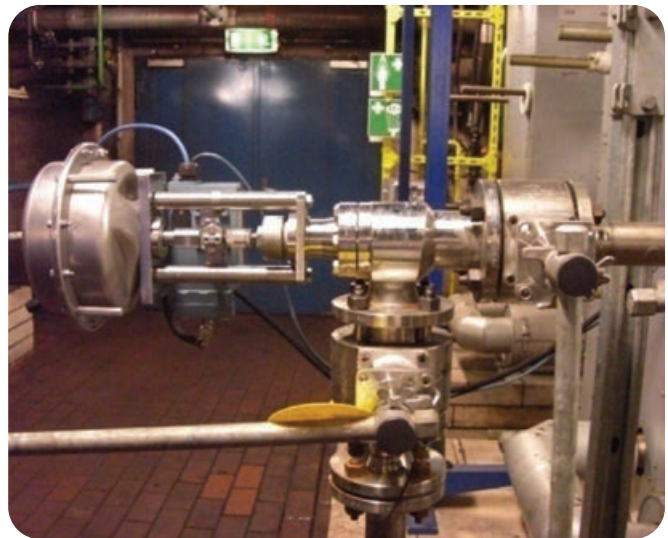
Operators can avoid an expensive and time-consuming re-evaluation of safety relief systems in a maintenance of certification (MOC) review by choosing the Valtek Multi-Z valve with standard trim to replace existing equipment.

That's because verified valve flow capacities (Cv) of the Multi-Z valve exactly match commonly accepted industry standard capacities.

### Solids and cavitation completely under control

Flowserve designed the Valtek Multi-Z valve to accommodate solids in liquid media, minimize high sound levels, tolerate high temperatures, eliminate cavitation formation and with a variety of materials to resist corrosion. The Multi-Z valve reduces cavitation by employing the following pressure drop mechanisms:

- Directional changes
- Frictional losses in small passages
- Mutual impingement of opposing streams
- Sudden expansion and contraction
- Turbulent mixing



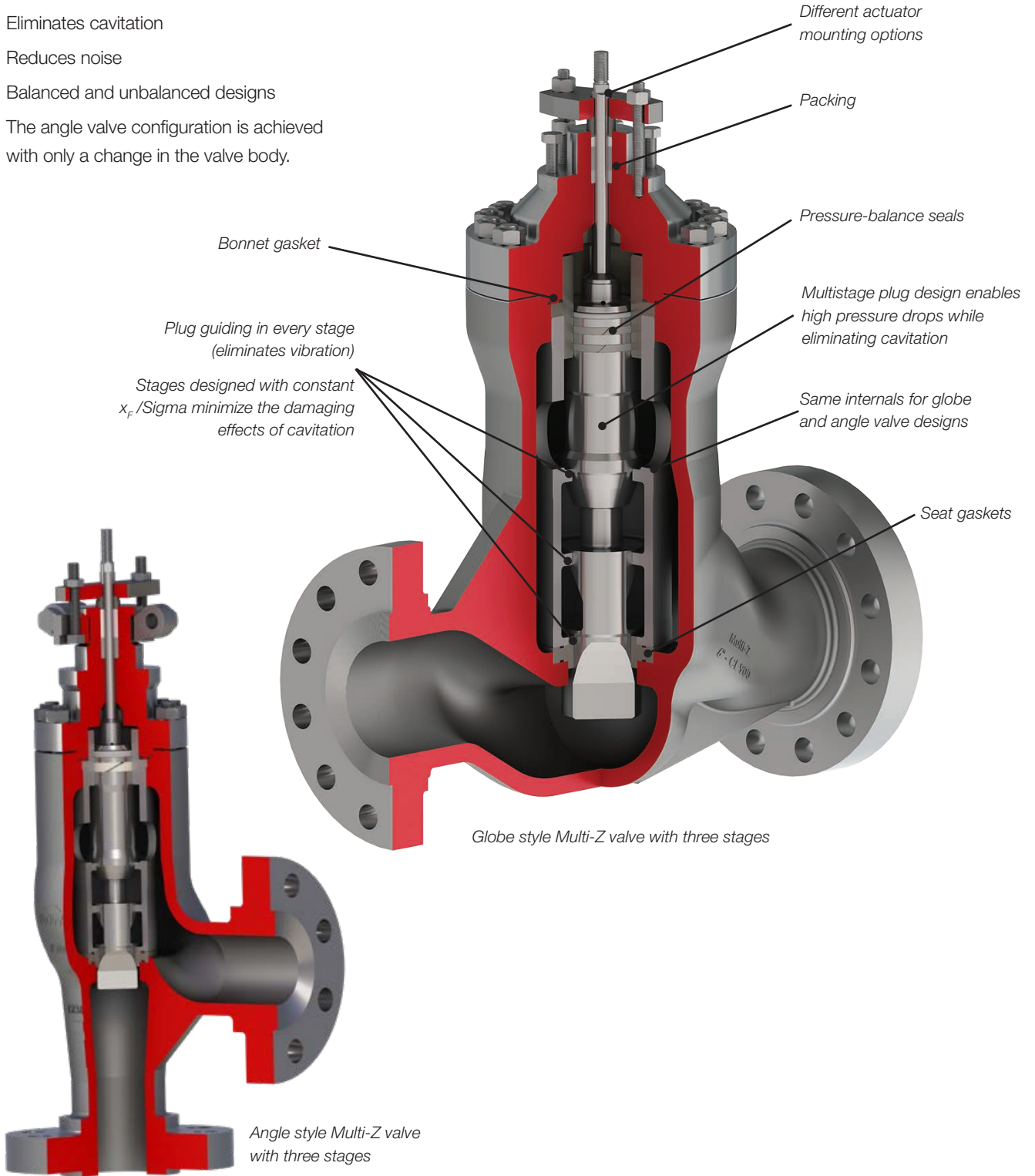
## Specifications\*

<b>Size</b>	ANSI 1 to 8 in (globe and angle cast)
<b>Pressure class</b>	Size 1 to 6 NPS: Class 300 to 2500 Size 8 NPS: Class 300 to 1500
<b>Body materials</b>	Carbon steel (WCC or A105) Low-temperature carbon steel (LCC) Stainless steel (CF8M or 316SS) Chrome Moly (WC9) Duplex 22%
<b>Body type</b>	Globe and angle
<b>End connections</b>	Flanged RTJ Buttweld Socket weld
<b>Trim type</b>	Balanced or unbalanced Three to six stages of pressure reduction, as required by the service conditions
<b>Shutoff</b>	ANSI Class IV and V
<b>Flow characteristic</b>	Linear or modified equal percentage
<b>Stem sealing</b>	PTFE Graphite SAS 225 SureSeal HP LL SureSeal HP 325 SureGuard XT PTFE/Graphite V-ring
<b>Actuator</b>	Piston type VL / VL-C / VL-ES Spring diaphragm type KP (stainless steel) Spring diaphragm type FlowAct (carbon steel) Electric Hydraulic Manual
<b>Certifications</b>	PED (EU), TR CU (Russia), CRN (Canada) Fugitive emissions ISO 15848-1 SIL 3 capable

\*These options are suitable for the majority of applications. For custom applications, a wide variety of trims, materials and options are available.

## Features

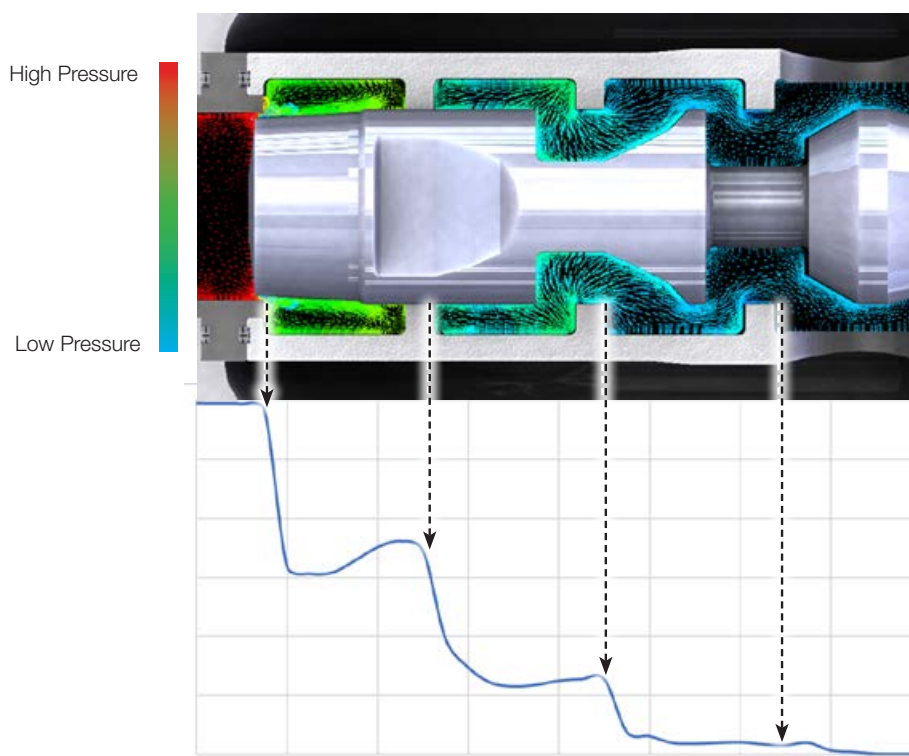
- Tolerance to solids in the medium
- Eliminates cavitation
- Reduces noise
- Balanced and unbalanced designs
- The angle valve configuration is achieved with only a change in the valve body.



## Principle of cavitation elimination

Cavitation, the rapid formation and collapse of vapor bubbles in a liquid, occurs when the pressure of the medium temporarily drops below the vapor pressure and then rapidly recovers. Cavitation creates erosion of valve body walls and other components, ultimately leading to the degradation of performance and valve life.

The Multi-Z valve trim prevents cavitation by controlling the pressure drop as the system medium is directed through multiple trim stages (i.e., three to six, depending on the application). The Multi-Z valve trim designs are optimized to ensure the medium pressure does not drop below the vapor pressure of the process fluid. The computational fluid dynamics (CFD) plot below illustrates the pressure drop across the Multi-Z valve trim. The trim design adheres to ISO/ASME RP-75.23.



The trim is available with linear or modified equal percentage characteristics. Custom plug contours are available for unusual applications. The Multi-Z valve utilizes long stroke lengths through the complete product range, providing better control resolution.

Figure 1: CFD analysis illustrates pressure drop across number of trim stages.

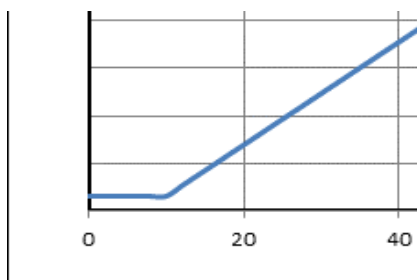


Figure 2: Flow curve

When the Multi-Z valve first opens, the staging is held closed. This allows the seating surfaces to open wide, preventing seat damage (see Figure 2).

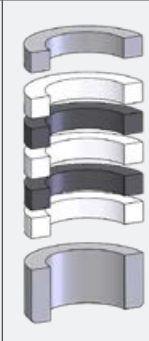

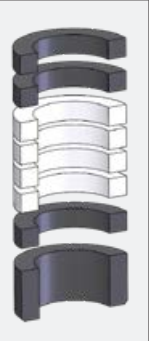
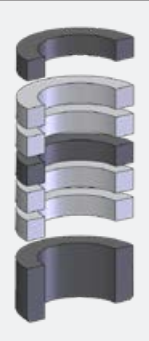
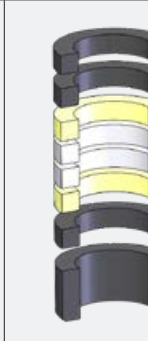
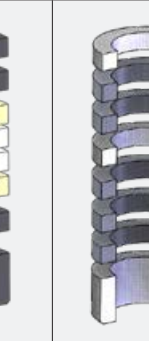
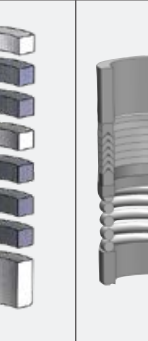
## Industry applications<sup>1</sup>

<b>Refinery</b>	Charge pump recirculation
	Amine letdown
	Cold high-pressure letdown
<b>Oilfield</b>	Produced water injection
	High-pressure injection control
<b>Power</b>	Boiler feed water recirculation
	Boiler feed water startup
<b>All Plants</b>	High pressure drop applications
	Water letdown

<sup>1</sup> Multi-Z valves are not suitable for oxygen applications.

## Packing options

**Table 1: Packing**

Description (material)	PTFE	Graphite SAS 225	SureSeal HP LL	Graphite SAS402-4 (BAM)	SureSeal HP 325 LL	SureGuard XT (fire-safe option)	PTFE/ Graphite V-ring
Material	PTFE Rope and PTFE With Graphite	Graphite	PTFE/ Graphite	Graphite	PTFE/Graphite/ Nomex	Perfluoro-elastomer	Graphite-loaded PTFE
Maximum Temperature, °C (°F)	200 (392)	550 (1,020)	250 (482)	200 (392)	80 (176)	288 (550)	220 (428)
Maximum Pressure at Ambient Temperature, bar (psi)	400 (5,800)	500 (7,250)	160 (2,320)	450 (6,525)	325 (4,713)	276 (4,000)	325 (4,713)
Certifications	None	None	ISO 15848 Class A (Class B; Class C) TA-Luft	BAM certificate for Oxygen service	TA-Luft	None	None
Reference Image							

Note: Metal bellows seal option available upon request.

## Standard trim design

**Table 2: Cavitation protection, flow capacity and maximum particulate size**

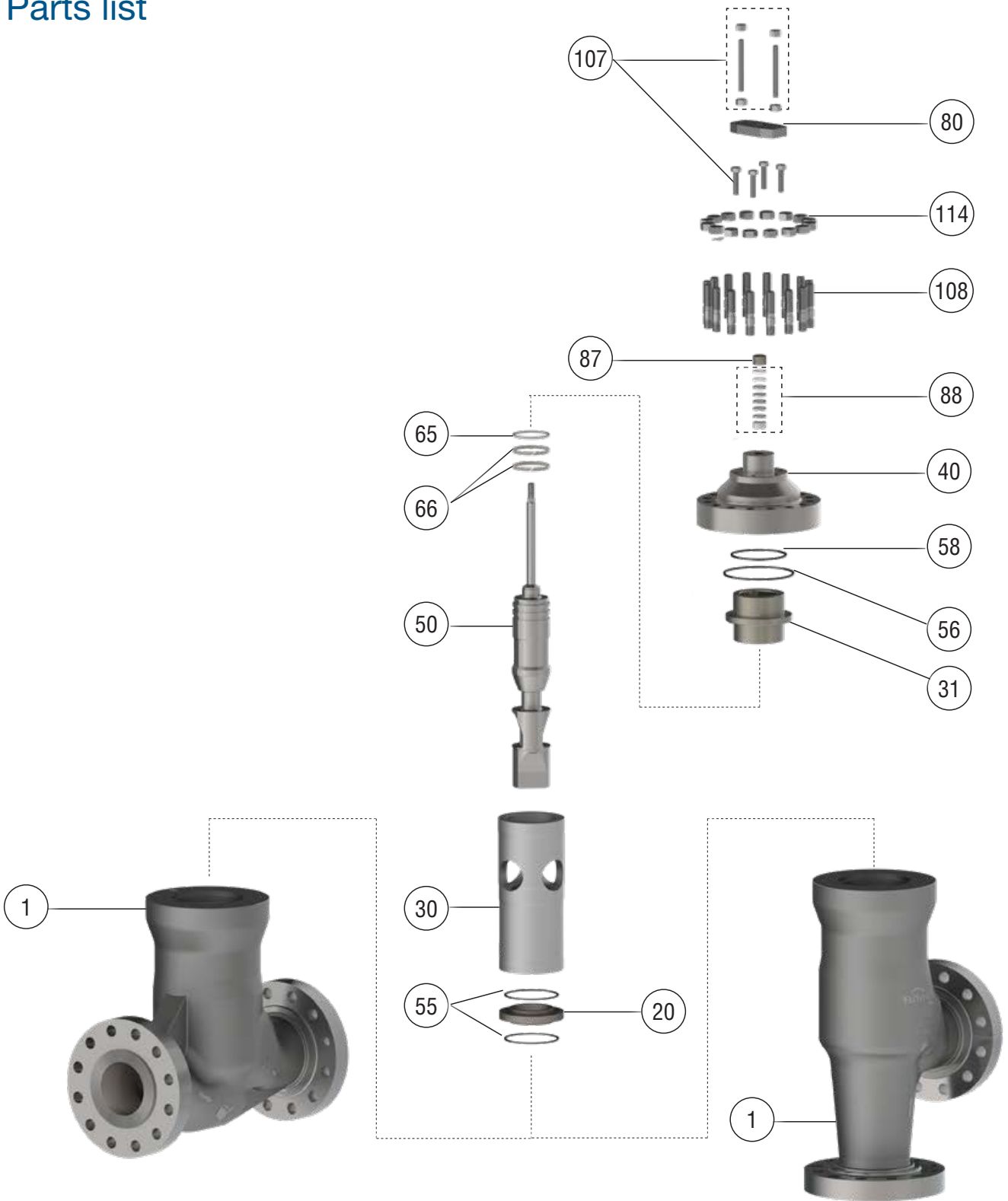
Trim Label	Sigma MR	Stages	Size	1 in	1.5 in	2 in	3 in	4 in	6 in	8 in <sup>2</sup>
			Stroke mm (in)	10 (0.39)	15 (0.59)	15 (0.59)	25 (0.98)	40 (1.58)	60 (2.36)	60 (2.36)
CC3	1.041	3 <sup>1</sup>	Max. Cv	2.0	3.8	9.0	20	34	65	135
			Min. Control Cv	0.12	0.29	0.29	0.59	0.92	1.5	2.1
			Max. Part. Size mm (in)	2.2 (0.09)	2.1 (0.08)	6.3 (0.25)	8.9 (0.35)	11.3 (0.45)	14.4 (0.57)	24.7 (0.97)
CA4	1.008	4	Max. Cv	1.0	1.9	4.5	10	16.5	34	70
			Min. Control Cv	0.09	0.23	0.23	0.49	0.75	1.2	1.7
			Max. Part. Size mm (in)	0.3 (0.01)	0.3 (0.01)	0.9 (0.04)	1.4 (0.05)	1.6 (0.06)	2.4 (0.09)	3.9 (0.15)
CB4	1.012		Max. Cv	1.4	2.5	6.0	13	22	45	90
			Min. Control Cv	0.09	0.23	0.23	0.49	0.75	1.2	1.7
			Max. Part. Size mm (in)	0.5 (0.02)	0.5 (0.02)	1.3 (0.05)	1.9 (0.07)	2.3 (0.09)	3.4 (0.13)	5.5 (0.22)
CC4	1.018		Max. Cv	1.7	3.2	7.5	16.5	28	56	115
			Min. Control Cv	0.09	0.23	0.23	0.49	0.75	1.2	1.7
			Max. Part. Size mm (in)	0.7 (0.03)	0.7 (0.03)	2.1 (0.08)	3.0 (0.12)	3.6 (0.14)	5.3 (0.21)	9.1 (0.36)
CA6	1.004	Max. Cv	0.8	1.4	3.5	7.5	12	25	50	
		Min. Control Cv	0.07	0.18	0.18	0.37	0.58	0.95	1.3	
		Max. Part. Size mm (in)	0.4 (0.01)	0.3 (0.01)	0.9 (0.04)	1.3 (0.05)	1.5 (0.06)	2.2 (0.09)	3.5 (0.14)	
CB6	1.006	Max. Cv	1.0	1.8	4.5	9.5	16	35	65	
		Min. Control Cv	0.07	0.18	0.18	0.37	0.58	0.95	1.3	
		Max. Part. Size mm (in)	0.4 (0.02)	0.4 (0.02)	1.2 (0.05)	1.6 (0.06)	2.0 (0.08)	3.2 (0.13)	4.9 (0.19)	
CC6	1.012	Max. Cv	1.4	2.5	6.0	13	22	45	91	
		Min. Control Cv	0.07	0.18	0.18	0.37	0.58	0.95	1.3	
		Max. Part. Size mm (in)	0.7 (0.03)	0.7 (0.03)	2.0 (0.08)	2.7 (0.11)	3.3 (0.13)	4.9 (0.19)	8.7 (0.34)	

\*1: Three-stage trim is not available as standard for Class 2500 designs.

\*2: 8 in and larger sizes are not available as standard in Class 2500 designs.

Contact factory to discuss available options for custom applications.

# Parts list





**Table 3: Materials of construction**

Item Number	Component	Material Details	
			Temperature Range
1	Body	WCC (CS cast)	-29°C to 427°C -20°F to 800°F
		A352 LCC	-254°C to 454°C -425°F to 85°F
		CF8M (316 SS cast)	-29°C to 593°C -20°F to 1,100°F
		WC9	-46°C to 343°C -50°F to 650°F
		Duplex SS 22% Cr	-29°C to 316°C -20°F to 600°F
40	Bonnet	Carbon Steel	-29°C to 427°C -20°F to 800°F
		Low-temperature CS	-254°C to 454°C -425°F to 850°F
		316 SS	-29°C to 593°C -20°F to 1,100°F
		Cr-Mo WC9; F22	-46°C to 343°C -50°F to 650°F
		Duplex SS 22% Cr	-29°C to 316°C -20°F to 600°F
50	Plug	<b>Standard</b>	<b>NACE</b>
		1.4112	1.4462
		416 SS HT	Duplex 22% Cr
		420 SS HT	Inconel® 718
		17-4PH H1025	Nitronic® 50
			17-4PH H1150D
51	Stem	<b>Standard</b>	<b>NACE</b>
		1.4112	1.4462
		416 SS HT	Duplex 22% Cr
		420 SS HT	Inconel 718
			Nitronic 50
	17-4PH H1150D		
30/31	Liner/PB Sleeve	<b>Standard</b>	<b>NACE</b>
		1.4112	1.4462
		416 SS HT	Duplex 22% Cr
		420 SS HT	Inconel 718
			Nitronic 50
	17-4PH H1150D		
88	Packing	See Table 1.	
65	Pressure Balance Seal		<b>Max. Temp.</b>
		PTFE V-ring	250 °C 480 °F
		O-ring Energized PTFE	400 °C 750 °F
	Metallic Piston Rings	250 °C 480 °F	

® Inconel is a registered trademark of the International Nickel Co., Inc.

® Nitronic is a registered trademark of AK Steel.

# Dimensions

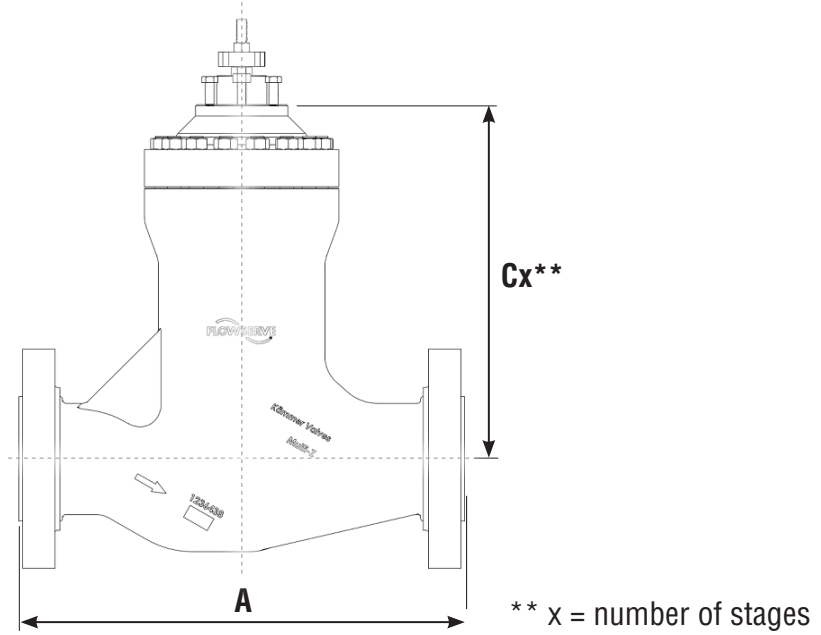


Table 4: Globe valves, ANSI

Valve Size ANSI	Class 300					Class 600					Class 900				
	A1 <sup>1</sup>	A2 <sup>2</sup>	C3	C4	C6	A1	A2	C3	C4	C6	A1	A2	C3	C4	C6
1	197 (7.75)	197 (7.75)	170 (6.69)	192 (7.56)	236 (9.29)	292 <sup>3</sup> (11.50)	292 <sup>3</sup> (11.50)	170 (6.69)	192 (7.56)	236 (9.29)	292 (11.50)	292 (11.50)	170 (6.69)	192 (7.56)	236 (9.29)
1.5	235 (9.25)	235 (9.25)	247 (9.72)	277 (10.91)	337 (13.27)	311 <sup>3</sup> (12.25)	311 <sup>3</sup> (12.25)	247 (9.72)	277 (10.91)	337 (13.27)	311 <sup>3</sup> (12.25)	311 <sup>3</sup> (12.25)	269.5 (10.61)	299.5 (11.79)	359.5 (14.15)
2	267 (10.50)	270 (10.62)	247 (9.72)	277 (10.91)	337 (13.27)	375 <sup>3</sup> (14.75)	378 <sup>3</sup> (14.88)	247 (9.72)	277 (10.91)	337 (13.27)	375 (14.75)	378 (14.88)	269.5 (10.61)	299.5 (11.79)	359.5 (14.15)
3	318 (12.50)	321 (12.62)	316.5 (12.46)	361.5 (14.23)	451.5 (17.78)	441 <sup>3</sup> (17.38)	445 <sup>3</sup> (17.50)	316.5 (12.46)	361.5 (14.23)	451.5 (17.78)	441 (17.38)	445 (17.50)	316.5 (12.46)	361.5 (14.23)	451.5 (17.78)
4	368 (14.50)	371 (14.62)	415 (16.34)	487 (19.17)	631 (24.81)	511 <sup>3</sup> (20.12)	514 <sup>3</sup> (20.25)	415 (16.34)	487 (19.17)	631 (24.84)	511 (20.12)	514 (20.25)	470.2 (18.51)	542.2 (21.35)	686.2 (27.02)
6	473 (18.62)	476 (18.75)	614.2 (24.18)	719.2 (28.31)	929.2 (36.58)	768 <sup>3</sup> (30.25)	772 <sup>3</sup> (30.38)	614.2 (24.18)	719.2 (28.31)	929.2 (36.58)	768 <sup>3</sup> (30.25)	772 <sup>3</sup> (30.38)	614.2 (24.18)	719.2 (28.31)	929.2 (36.58)
8	568 (22.38)	572 (22.50)	724.7 (28.53)	837.2 (32.96)	1,062.2 (41.82)	914 <sup>3</sup> (36.00)	917 <sup>3</sup> (36.12)	724.7 (28.53)	837.2 (32.96)	1,062.2 (41.82)	914 (36.00)	917 (36.12)	730.2 (28.75)	842.7 (33.18)	1,067.7 (42.04)

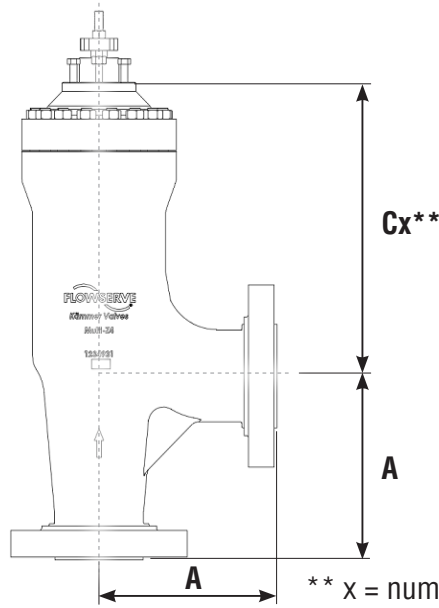
  

Valve Size ANSI	Class 1500					Class 2500				
	A1 <sup>1</sup>	A2 <sup>2</sup>	C3	C4	C6	A1	A2	C3	C4	C6
1	292 (11.50)	292 (11.50)	170 (6.69)	192 (7.56)	236 (9.29)	308 <sup>3</sup> (12.12)	308 <sup>3</sup> (12.12)	Note 4	198 (7.80)	242 (9.53)
1.5	311 <sup>3</sup> (12.25)	311 <sup>3</sup> (12.25)	269.5 (10.61)	299.5 (11.79)	359.5 (14.15)	359 <sup>3</sup> (14.12)	359 <sup>3</sup> (14.12)	Note 4	320.5 (12.62)	385.5 (15.18)
2	375 (14.75)	378 (14.88)	269.5 (10.61)	299.5 (11.79)	359.5 (14.15)	413 (16.25)	416 (16.38)	Note 4	320.5 (12.62)	385.5 (15.18)
3	460 (18.12)	464 (18.25)	349.5 (13.76)	394.5 (15.53)	484.5 (19.07)	498 <sup>3</sup> (19.62)	502 <sup>3</sup> (19.75)	Note 4	493.2 (19.42)	587.2 (23.12)
4	530 (20.88)	533 (21.00)	470.2 (18.51)	542.2 (21.35)	686.2 (27.02)	737 (29.00)	746 (29.38)	Note 4	650 (25.59)	801 (31.54)
6	768 (30.25)	778 (30.62)	648.2 (25.52)	753.2 (29.65)	963.2 (37.92)	819 <sup>3</sup> (32.25)	832 <sup>3</sup> (32.75)	Note 4	782.2 (30.80)	997.2 (39.26)
8	972 (38.25)	981 (38.62)	730.2 (28.75)	842.7 (33.18)	1,067.7 (42.04)	Note 4				

Primary dimension shown in millimeters; secondary dimension noted in parentheses shown in inches.

1. A1 End connections: Flanged RF/RFSF
2. A2 End connections: Flanged RTJ
3. Noted dimensions are 'Flowserve Standard' alternates; ANSI/ISA standard dimensions are also available for all sizes/classes.
4. Three-stage trim and 8 in sizes not available as standard for Class 2500 designs. Contact factory for custom designs.

# Dimensions



\*\* x = number of stages

Table 5: Angle valves, ANSI

Valve Size ANSI	Class 300					Class 600					Class 900				
	A1	A2	C3	C4	C6	A1	A2	C3	C4	C6	A1	A2	C3	C4	C6
1	98 (3.88)	98 (3.88)	170 (6.69)	192 (7.56)	236 (9.29)	146 <sup>3</sup> (5.75)	146 <sup>3</sup> (5.75)	170 (6.69)	192 (7.56)	236 (9.29)	146 (5.75)	146 (5.75)	170 (6.69)	192 (7.56)	236 (9.29)
1.5	117 (4.63)	117 (4.63)	247 (9.72)	277 (10.91)	337 (13.27)	156 <sup>3</sup> (6.13)	156 <sup>3</sup> (6.13)	247 (9.72)	277 (10.91)	337 (13.27)	156 <sup>3</sup> (6.13)	156 <sup>3</sup> (6.13)	269.5 (10.61)	299.5 (11.79)	359.5 (14.15)
2	133 (5.25)	135 (5.31)	247 (9.72)	277 (10.91)	337 (13.27)	187 <sup>3</sup> (7.38)	189 <sup>3</sup> (7.44)	247 (9.72)	277 (10.91)	337 (13.27)	187 (7.38)	189 (7.44)	269.5 (10.61)	299.5 (11.79)	359.5 (14.15)
3	159 (6.25)	160 (6.31)	316.5 (12.46)	361.5 (14.23)	451.5 (17.78)	221 <sup>3</sup> (8.69)	222 <sup>3</sup> (8.75)	316.5 (12.46)	361.5 (14.23)	451.5 (17.78)	221 (8.69)	222 (8.75)	316.5 (12.46)	361.5 (14.23)	451.5 (17.78)
4	184 (7.25)	186 (7.31)	415 (16.34)	487 (19.17)	631 (24.84)	256 <sup>3</sup> (10.06)	257 <sup>3</sup> (10.13)	415 (16.34)	487 (19.17)	631 (24.84)	256 (10.06)	257 (10.13)	470.2 (18.51)	542.2 (21.35)	686.2 (27.02)
6	236 (9.31)	238 (9.38)	614.2 (24.18)	719.2 (28.31)	929.2 (36.58)	384 <sup>3</sup> (15.13)	386 <sup>3</sup> (15.19)	614.2 (24.18)	719.2 (28.31)	929.2 (36.58)	384 <sup>3</sup> (15.13)	386 <sup>3</sup> (15.19)	614.2 (24.18)	719.2 (28.31)	929.2 (36.58)
8	284 (11.19)	286 (11.25)	724.7 (28.53)	837.2 (32.96)	1,062.2 (41.82)	457 <sup>3</sup> (18.00)	459 <sup>3</sup> (18.06)	724.7 (28.53)	837.2 (32.96)	1,062.2 (41.82)	457 (18.00)	459 (18.06)	730.2 (28.75)	842.7 (33.18)	1,067.7 (42.04)

Valve Size ANSI	Class 1500					Class 2500				
	A1	A2	C3	C4	C6	A1	A2	C3	C4	C6
1	146 (5.75)	146 (5.75)	170 (6.69)	192 (7.56)	236 (9.29)	154 <sup>3</sup> (6.06)	154 <sup>3</sup> (6.06)	Note 4	198 (7.80)	242 (9.53)
1.5	156 <sup>3</sup> (6.13)	156 <sup>3</sup> (6.13)	269.5 (10.61)	299.5 (11.79)	359.5 (14.15)	179 <sup>3</sup> (7.06)	179 <sup>3</sup> (7.06)	Note 4	320.5 (12.62)	385.5 (15.18)
2	187 (7.38)	189 (7.44)	269.5 (10.61)	299.5 (11.79)	359.5 (14.15)	206 (8.13)	208 (8.19)	Note 4	320.5 (12.62)	385.5 (15.18)
3	230 (9.06)	232 (9.13)	349.5 (13.76)	394.5 (15.53)	484.5 (19.07)	249 <sup>3</sup> (9.81)	251 <sup>3</sup> (9.88)	Note 4	493.2 (19.42)	587.2 (23.12)
4	265 (10.44)	267 (10.50)	470.2 (18.51)	542.2 (21.35)	686.2 (27.02)	368 (14.50)	373 (14.69)	Note 4	650 (25.59)	801 (31.54)
6	384 (15.13)	389 (15.31)	648.2 (25.52)	753.2 (29.65)	963.2 (37.92)	410 <sup>3</sup> (16.13)	416 <sup>3</sup> (16.38)	Note 4	782.2 (30.80)	997.2 (39.26)
8	486 (19.13)	490 (19.31)	730.2 (28.75)	842.7 (33.18)	1,067.7 (42.04)	Note 4				

Primary dimension shown in millimeters; secondary dimension noted in parentheses shown in inches.

1. A1 End connections: Flanged RF/RFSF
2. A2 End connections: Flanged RTJ
3. Noted dimensions are 'Flowserve Standard' alternates; ANSI/ISA standard dimensions are also available for all sizes/classes.
4. Three-stage trim and 8 in sizes not available as standard for Class 2500 designs. Contact factory for custom designs.

The use of non-piston actuators may change the dimension Cx.



Flowserve Corporation  
5215 North O'Connor Blvd.  
Suite 700  
Irving, Texas 75039-5421 USA  
Telephone: +1 937 890 5839

**VATB000350-01 (EN/A4)** October 2021

Flowserve Corporation has established industry leadership in the design and manufacture of its products. When properly selected, this Flowserve product is designed to perform its intended function safely during its useful life. However, the purchaser or user of Flowserve products should be aware that Flowserve products might be used in numerous applications under a wide variety of industrial service conditions. Although Flowserve can provide general guidelines, it cannot provide specific data and warnings for all possible applications. The purchaser/user must therefore assume the ultimate responsibility for the proper sizing and selection, installation, operation, and maintenance of Flowserve products. The purchaser/user should read and understand the Installation Instructions included with the product, and train its employees and contractors in the safe use of Flowserve products in connection with the specific application.

While the information and specifications contained in this literature are believed to be accurate, they are supplied for informative purposes only and should not be considered certified or as a guarantee of satisfactory results by reliance thereon. Nothing contained herein is to be construed as a warranty or guarantee, express or implied, regarding any matter with respect to this product. Because Flowserve is continually improving and upgrading its product design, the specifications, dimensions and information contained herein are subject to change without notice. Should any question arise concerning these provisions, the purchaser/user should contact Flowserve Corporation at any one of its worldwide operations or offices.

©2021 Flowserve Corporation. All rights reserved. This document contains registered and unregistered trademarks of Flowserve Corporation. Other company, product, or service names may be trademarks or service marks of their respective companies.