



REDRAVEN™

DATA USB TREND DATA MEMORY FOR DETECT SENSOR

The Data USB trend data memory is a user-friendly way to store and analyze the vibration data acquired via the Detect sensor. Data USB can be used as a stand-alone device or integrated into a DCS system. Technicians can log condition data to a USB flash drive for three years for long-term storage. Using Vibrosoft software, technicians can analyze condition data to evaluate the current condition of the equipment and determine if further action is required at an early stage.

Vibration data in correlation to the production process

Near real-time online trend data analysis (date, time) is available to reduce lifecycle cost, increase plant availability, and optimize process efficiency.

Long-term data memory

With the flash drive, technicians can log and store condition data continually for 1,000 days.



Direct USB communication

Using a standard USB interface, a PC or laptop can be connected directly to the Data USB logger. Technicians can use Vibrosoft software to configure the Detect sensor and conduct data analysis.

Quickly assess trend data

Using a USB flash drive, it's easy to save condition data for use on other systems. The data can be easily analyzed using the Vibrosoft data viewer.

Modbus TCP

Interface for direct data transfer, e.g., PI server

Simple power supply

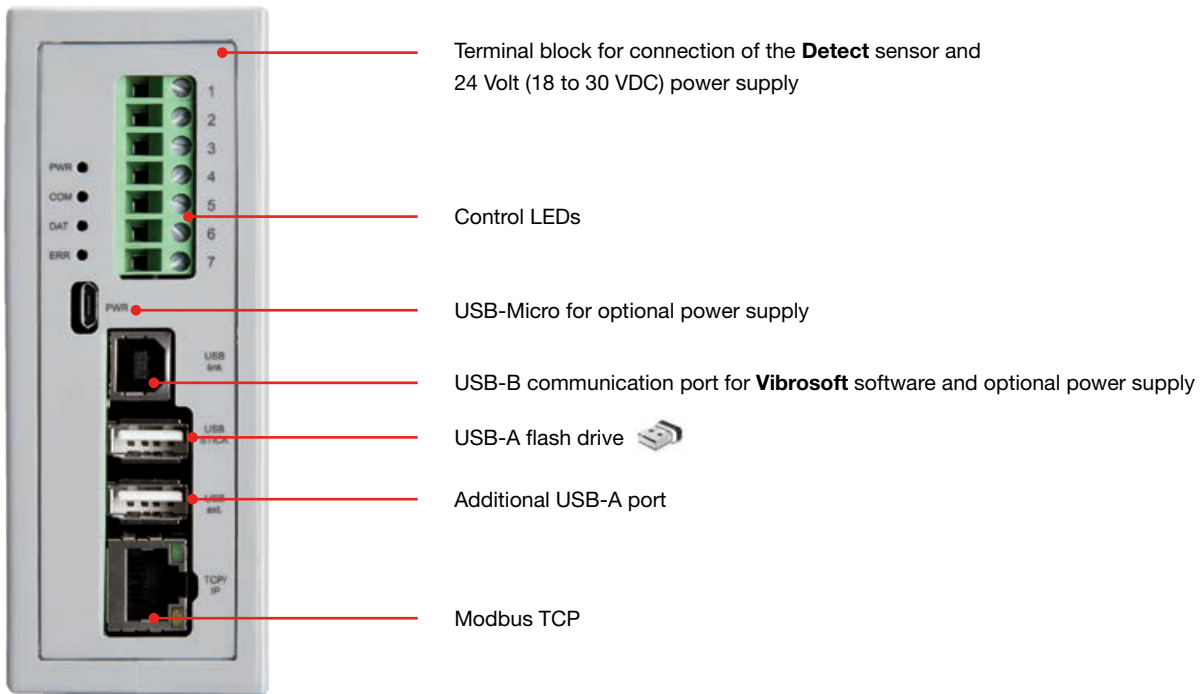
As an alternative to the industrial 24 VDC power supply, the Data USB can be powered by the USB interface (USB-Micro, USB-B), and all standard USB power supply units can be used. The Data USB powers the Detect sensor directly.



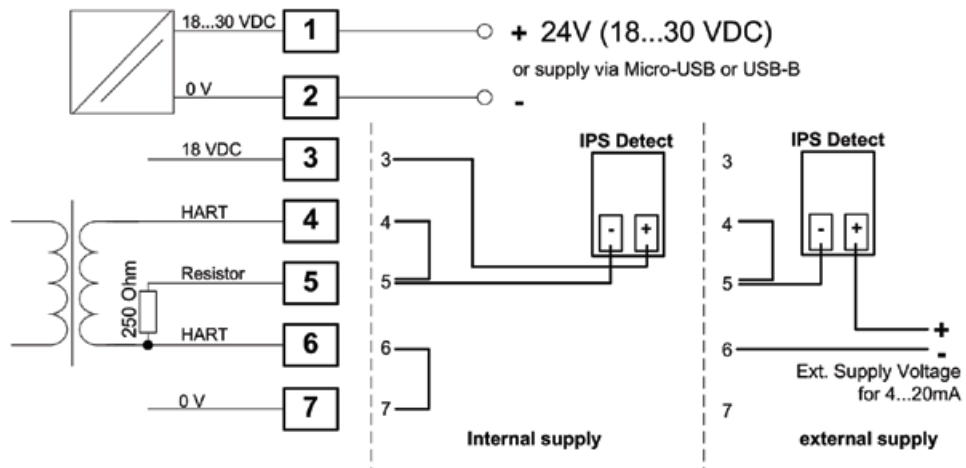
REDRAVEN™

Data USB Trend Data Memory for Detect Sensor

Connections



Terminal block connections





REDRAVEN™ Data USB Trend Data Memory for Detect Sensor

Technical Data

Power supply	
Input voltage	VDC (18 to 30 VDC); 500 mA*; terminal 1+ / 2- Power supply for electronic devices class A (industrial operation)
Alternative input voltage 1	USB-Micro power supply unit 5 VDC / 500 mA **
Alternative input voltage 2	USB-B for PC communication 5 VDC / 500 mA **
Detect supply output	18 VDC ±5% / 20 mA short-circuit-proof; terminal 4+ / 7-
Internal resistance	250 Ohm; terminal 4 / 6
Ambient conditions	
Storage temperature	T _a = -25°C to 60°C (-13°F to 140°F)
Ambient temperature	T _a = -20°C to 60°C (-4°F to 140°F)
Lifetime	>50,000 h
Protection degree	IP20
Relative air humidity	5 to 95% no condensation
EMC requirements	IEC 61326
Mechanical specifications	
Housing	Plastics polycarbonate gray
Dimensions	118 x 45 x 138 mm
Weight	200 g
Mounting	32 mm mounting rail EN 60715
Trend data memory	
Storage type	Ring buffer to 1,000 days
USB stick	max. 4 GB (FAT32), included in scope of supply
Number of files	0 to 99 (factory setting: 99)
File size	100 to 7,500 kB (+100) (factory setting: 4,500 kB)
Log interval	Min. 30 seconds (+30 sec. incremental steps) (factory setting: 30 sec.)
Measurement	~ 0.26 kB per measurement
Data format	TXT in CVS format, e.g., Excel or Vibrosoft DataView
Configuration	Vibrosoft
Real-time clock	
Configuration	Vibrosoft
Operation real-time clock without power supply	>5 days

* By use of the provided USB sticks. Other USB sticks can have a higher power consumption.

** The provided USB stick or a USB stick with a power consumption <200 mA has to be used.

Further, it is recommended to use only cable lengths <1.5 m.