

SIHI® Dry PD H Series **Single-stage, dry-running vacuum** **pumps for process applications**

Models H250, H400, H630, H750 and H1000



Deep vacuum in a clean, dry-running design

SIHI® Dry PD H Series vacuum pumps were specifically developed for use in chemical, pharmaceutical and other process applications requiring deep vacuum. Unlike conventional twin-screw vacuum pumps, SIHI Dry PD H Series pumps do not require fluids for lubricating. Their dry-running design eliminates fluid acquisition and disposal costs while allowing uncontaminated solvent and process vapors to be recovered downstream. Moreover, the SIHI Dry PD H Series was designed to perform maximum pumping speed at low inlet pressure offering the highest efficiency and lowest power consumption.

Benefits

- **High reliability**, even under harsh process conditions, due to particle and liquid carryover possibility and safe handling of condensable, corrosive or toxic media
- **High availability** due to integrated condition monitoring with pre-failure detection and data logging
- **Minimal downtime** due to self-draining, top-down flow and simple on-site serviceability by own staff
- **Low total cost of ownership** due to elimination of lubrication and mechanical seals, low-maintenance costs and energy-efficient design

Applications

SIHI Dry PD H Series dry-running vacuum pumps are engineered to develop deep vacuum under demanding process conditions, including those in classified areas.

Principle industries

- Chemical
- Fine chemical
- Pharmaceutical

Key vacuum applications

- Distillation
- Drying
- Batch reactors



Figure 1:
SIHI Dry H400 pump

General technical data

Parameter	Units	H250	H400	H630	H750	H1000
Max. suction capacity	m³/h (cfm)	270 (159)	400 (235)	600 (353)	750 (441)	950 (559)
Final pressure	mbar a (mtorr a)	< 0.1 (75)	< 0.02 (15)	< 0.02 (15)	0.1 (75)	< 0.02 (15)
ATEX	Cat 2	Ex II 2 G IIC T3 / T4 Gb		Ex II 2 G IIC T3 Gb		
	Cat 1	Ex II 1/2 G IIC/ IIC T4 Ga/Gb				
		Ex II 1/2 G IIB3/IIC T4 Ga/Gb				
Absorbed power at final pressure	kW (hp)	5 (6.7)	7 (9.4)	10 (13.4)	14 (18.8)	18 (24.1)
Max. backpressure	mbar g (torr g)	100 (75)				
Gas inlet temperature	°C (°F)	0 to + 100 (2G) / 0 to + 60 (1G) (32 to 312 (2G) / 32 to 140 (1G))			0 to + 100 (32 to 212)	
Gas outlet temperature	°C (°F)	≤ 130 (T4) / ≤ 160 (T3) (≤ 266 (T4) / ≤ 320 (T3))			≤ 160 (T3) (≤ 320 (T3))	
Sound pressure level ¹	dB (A)	< 63		< 64	< 73	
Pump weight	Kg (lb)	approx. 600 (1,323)			approx. 1000 (2,205)	

Electrical data

Parameter	Units	H250	H400	H630	H750	H1000
Power connection	-	L1, L2, L3, PE (without N)				
Voltage	VAC	400 to 500 ± 10%				
Frequency	Hz	47 to 63				
Protection	-	IP54				
Max. power consumption	kW (hp)	12 (16.1)		19.5 (26.1)	26 (34.9)	30 (40.2)
Pre-fuse (three-pole)	A	25		50	63	

Purge gas

Parameter	Units	H250	H400	H630	H750	H1000
Medium	-	N ₂				
Gas quality	-	min class 2.4.1 (according ISO 8573-1:2010)				
Purge gas consumption (in operation)	NI/min (SCFM)	20 (0.71)				
Pressure	bar g (psig)	3 to 8 (43.5 to 116)				

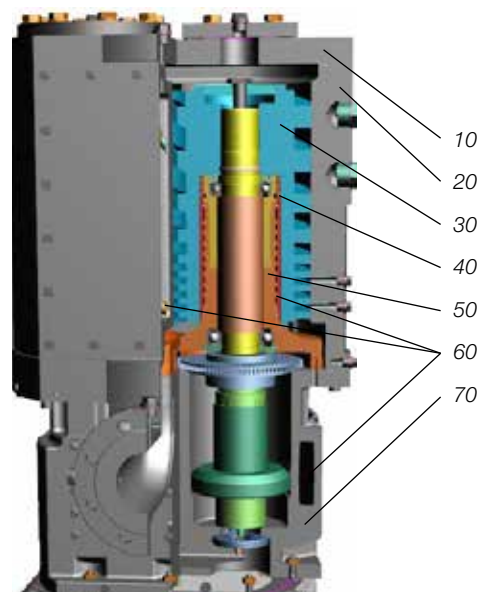
Cooling water

Parameter	Units	H250	H400	H630	H750	H1000
Medium	-	water, conductivity > 50 µS (demineralized water on request)				
Medium temperature	°C (°F)	+10 to +20 (T4) / +10 to +40 (T3) (50 to 68 (T4) / 50 to 104 (T3))		+10 to +40 (50 to 40)	+10 to +30 (50 to 104)	
Max. admissible static medium pressure	bar g (psig)	6 (87)			6 (87)	
Min. flow rate	l/min (gpm)	> 8 (2.1)			60 (15.9)	

Material design

Wetted parts, process and coolant media sides

Parameter	Item number	H250	H400	H630	H750	H1000
Casing cover	10	1.0553				
Casing	20	EN-GJS-400-18-LT				
Twin screws	30	1.4122				
Labyrinth seal	40	EN-GJL-250				
Bearing cartridge	50	1.4122				
Coolant loop	60	Brass, EPDM / Stainless steel, Copper / GJS				
Motor casing	70	EN-GJS-400-18-LT				
Inlet strainer (not shown)		Stainless steel / PTFE				



Features and benefits

Built for harsh processes

Tolerates particle and liquid carryover without any suction side filter

- Top-down flow avoids particle deposits inside of the pump
- No wear caused by particle carryover due to contact-free principle
- Optional integrated liquid cleaning by flushing module
- Particle carryover and pump drying by optional integrated gas flushing module

Handling of condensable and corrosive media

- Prevention of condensation inside of the pump by optional integrated gas dilution module
- Optional integrated liquid cleaning by flushing module
- Reduction of condensation by temperature-controlled operation

Safe handling of toxic media

- Hermetical, tight execution
- Pump internal secondary cooling loop, decoupled from customer cooling water

Improved product quality

High pumping performance

- Remarkably high pump speed at low pressure allows higher flow rate of process gases
- Lower final pressure

Zero process contamination

- Truly dry and contact-free principle, free of any service liquids
- Absolutely free of gear oil due to electronically synchronized shafts

Engineered for easy system integration

Certified explosion protection

- ATEX-certified, even without flame arrester in Category 2 systems
- No source of ignition due to consequential contact-free operation

Customized vacuum system solutions

- Pre-engineered modules match all individual process needs

No pressure control valve necessary

- Adjustable suction capacity due to variable rotational speed

An integrated solution

- Pre-engineered modules are completely mounted and tested
- Small-footprint design saves useful space

No PLC Control necessary with optional HMI

- Self-controlled, pre-engineered modules
- Local control via human machine interface (HMI) panel
- Data access via Ethernet

Easy communication

- Availability of bus standards as well as I/O interface
- Optional equipped with HMI



Pump system control with human machine interface (HMI)

Fast installation and startup

Self-controlled vacuum system

- Completely assembled, wired, tested and self-controlled vacuum system allows easiest commissioning

Lower maintenance costs and downtime

No oil checks, exchanges and disposals required

- Free of oil as service liquid
- No gear oil

No wearing

- Consequent contact-free principle
- Long-life bearings
- Contact-free sealings

Continuous condition analysis

- Data logging
- Online monitoring of pump status
- Simple failure codes

Easy to clean and service

Only cleaning on demand

- Condition monitoring by independent data record of both shafts
- Pre-failure detection

Designed for in situ cleaning and on-site service

- Easy dismantling of the pump casing without bearing removal
- No high-tech workshop required
- Can be done on-site by own staff
- Independency on third party service

Lower operating costs

Low power consumption

- High-tech screws' design optimized for highest efficiency
- Frequency control allows to improve energy-efficient operation by operator

Easiest cleaning on-site

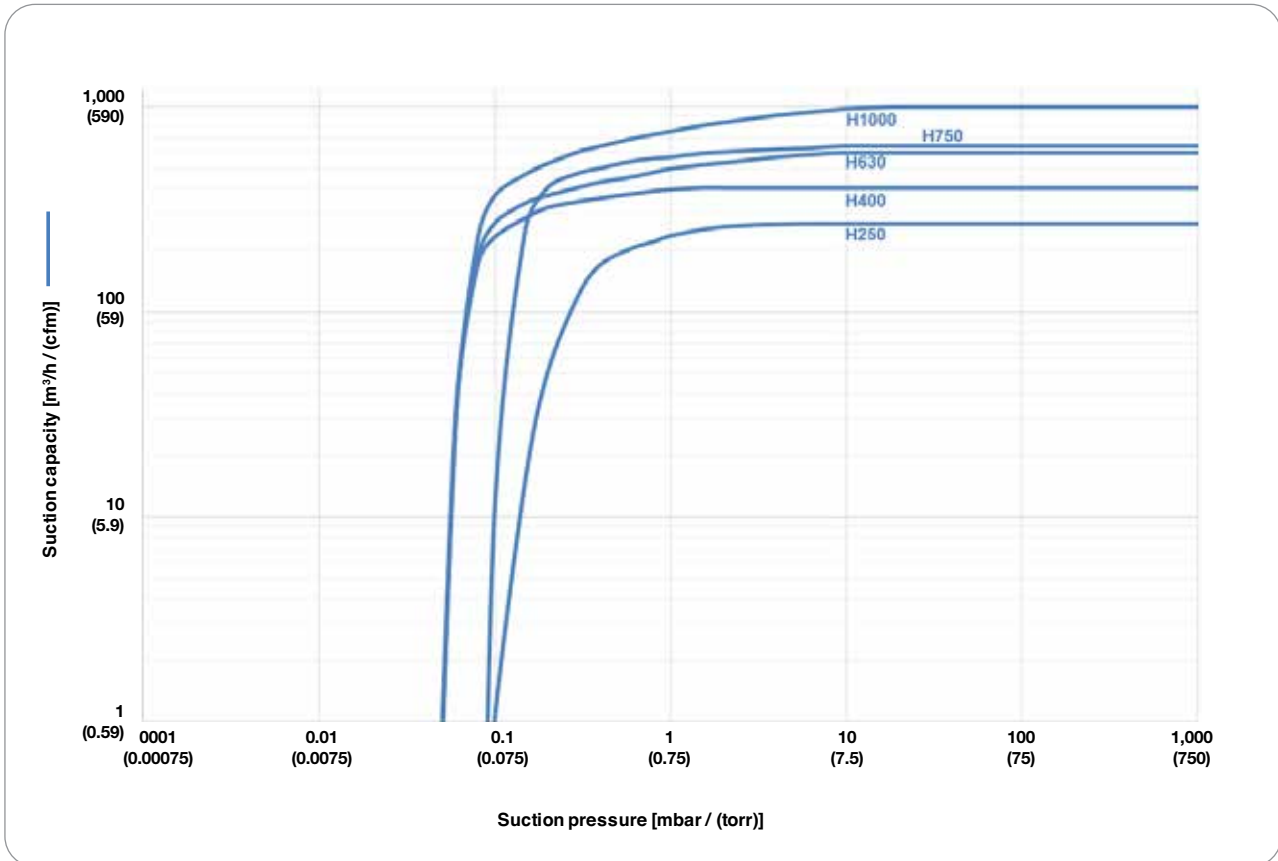


Easiest service on-site



Suction capacity curves

Operating points below the characteristic curve are achievable by speed variation, depending on the system execution.






The operating data is valid under following conditions:

- Process media: Dry air 20°C (68°F)
- Cooling media inlet: Water 25°C (77°F)
- Discharge pressure: 1,013 mbar (760 torr) atmospheric pressure
- The suction volume is related to the pressure at the suction nozzle.

Tolerance on operating data is ± 10%.

Pre-engineered systems

SIHI Dry PD H Series pumps are available in cost-effective standard packages to ensure peak performance and minimize engineering delays. These fully tested and documented pre-engineered systems enable you to deploy a completely new system quickly or upgrade an existing one.

Modules		Pre-engineered systems		
		Standard	Configured	Premium
Vacuum pump	SIHI Dry H250, H400 and H630	X	X	X
Control	Control FX	X	X	
	Control Profibus DP with HMI			X
Supply unit	Supply unit			X
	Protective motor switch			X
Purge gas	Purge gas system	X	X	X
Base frame	Base frame		X	X
	Rack			X
Cooling	Direct cooling without flanges	X		
	Secondary cooling circuit		X	X
Shut-off valve suction	Butterfly valve		X	X
Flushing	Threaded		X	X
Gas dilution	Standard		X	X
Shut-off valve discharge	Butterfly valve		X	X
Sensors	Evaluated Pt100 sensor in cooling jacket	X	X	X
	Evaluated Pt100 sensor on discharge side	X	X	X
	Evaluated Pt100 sensor on suction side			X
	Evaluated pressure-side pressure transmitter	X	X	X
	Evaluated suction-side pressure transmitter		X (not evaluated)	X
				

Pre-engineered systems – Standard

This system configuration provides basic equipment for the operation of the vacuum pump. The scope of supply includes the following components:

Modules		Description
Vacuum pump	SIHI Dry H250, H400 and H630	<ul style="list-style-type: none"> • Pump • Suction sieve • Integrated motors • Integrated drive control
Control	Control FX	<ul style="list-style-type: none"> • SIHI Control FX fixed-sequence control with sensor evaluation • Integrated communication interface
Purge gas	Purge gas system	<ul style="list-style-type: none"> • Purge gas control unit Ex-p
Cooling	Direct cooling without flanges	<ul style="list-style-type: none"> • Customer's coolant system is directly connected to the pump. A strainer is installed in order to protect the pump.
Sensors	Thermometer and pressure transmitter	<ul style="list-style-type: none"> • Evaluated Pt100 sensor in cooling jacket and on discharge side • Evaluated pressure-side pressure transmitter

Available communication interfaces:

I/O interface

- Digital I/O
 - Ex – p Release / Start / Stop / Reset / Operation / Failure / Warning
- Analog I/O
 - Set value speed / Vital status / Current speed value

Bus – Communication

- CANopen Slave ISO11898
- Pump control (see I/O)
- Display of operation mode

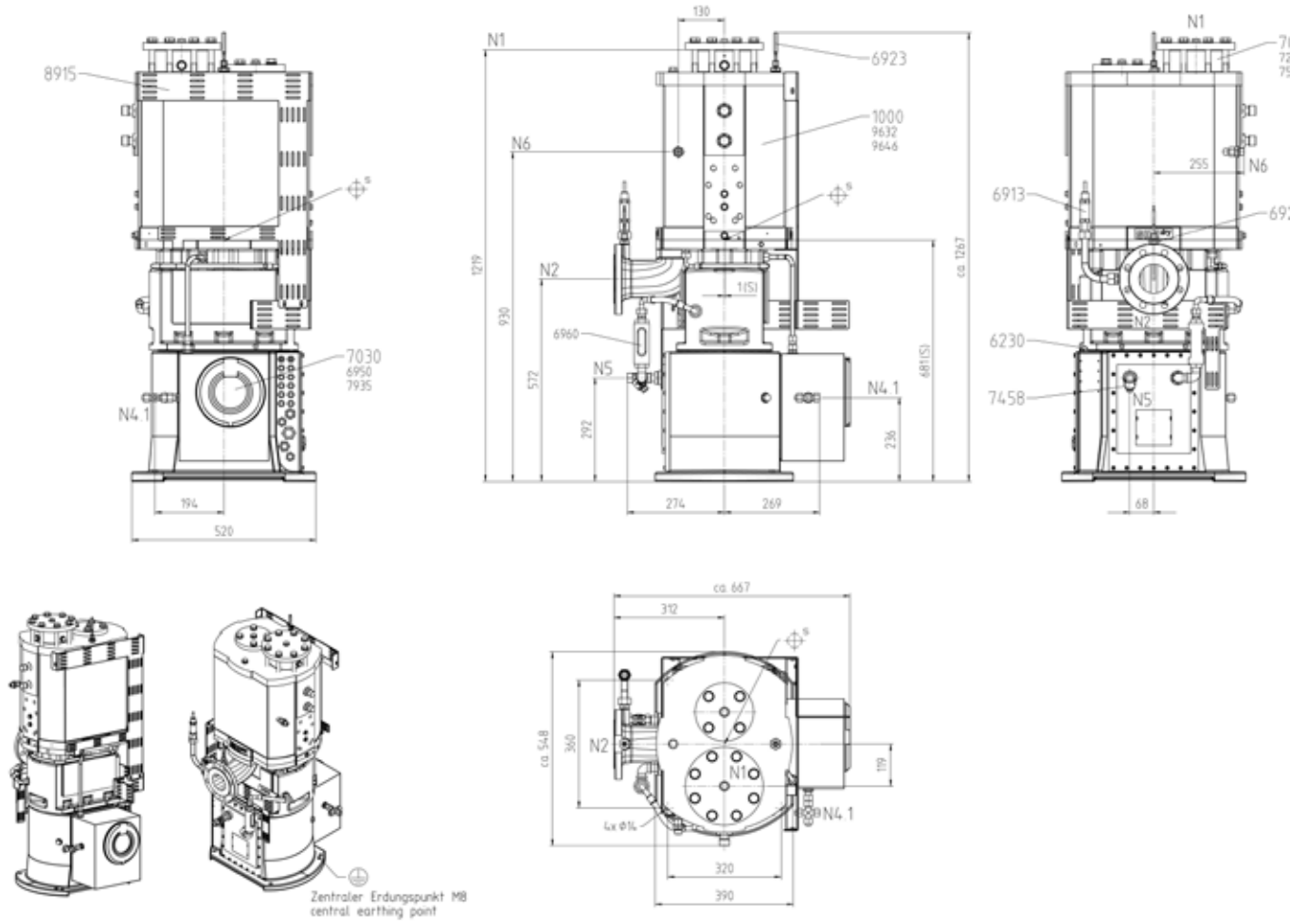
Bluetooth® – Communication

- On-site operation via tablet-PC, SIHI BT remote app via Bluetooth communication and vacuum pump integrated SIHI Control FX sequence control

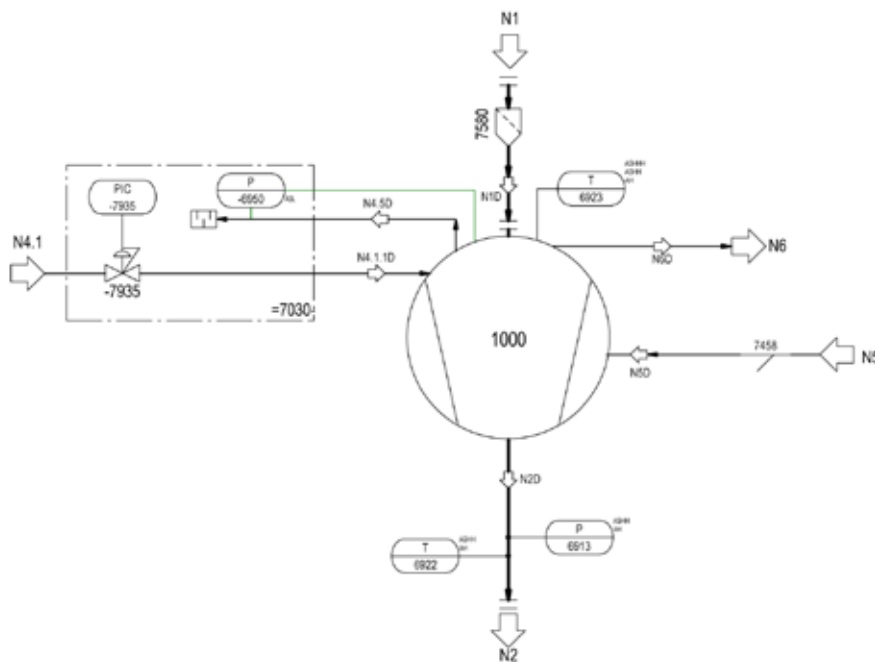


The *Bluetooth*® word mark and logos are registered trademarks owned by the Bluetooth SIG, Inc. and any use of such marks by Flowserve is under license. Other trademarks and trade names are those of their respective owners.

Dimensions for H400 (mm)



P&ID



Pre-engineered systems – Configured

This system configuration provides an extended basic equipment for the operation of the vacuum pump. The scope of supply includes the following components:

Modules		Description
Vacuum pump	SIHI Dry H250, H400 and H630	<ul style="list-style-type: none"> • Pump • Suction sieve • Integrated motors • Integrated drive control
Control	Control FX	<ul style="list-style-type: none"> • SIHI Control FX fixed-sequence control with sensor evaluation and control sequences such as Start, Stop, Warm up, Standby, Vacuum, Cleaning and Failure • Integrated communication interface
Purge gas	Purge gas system	<ul style="list-style-type: none"> • Purge gas control unit Ex-p
Base frame	Base frame	<ul style="list-style-type: none"> • Base frame with machine feet
Cooling	Secondary cooling	<ul style="list-style-type: none"> • Secondary cooling circuit with cooling pump
Shut-off valve suction	Butterfly valve	<ul style="list-style-type: none"> • Controlled, suction shut-off valve
Flushing	Threaded	<ul style="list-style-type: none"> • Controlled N₂ flush and cleaning valve
Gas dilution	Standard	<ul style="list-style-type: none"> • Controlled gas dilution module
Shut-off valve discharge	Butterfly valve	<ul style="list-style-type: none"> • Controlled discharge shut-off valve
Sensors	Thermometer and pressure transmitter	<ul style="list-style-type: none"> • Evaluated Pt100 sensor in cooling jacket • Evaluated Pt100 sensor in discharge side • Evaluated pressure-side pressure transmitter • Suction-side pressure transmitter

Available communication interfaces:

I/O interface

- Digital I/O
 - Ex – p Release / Start / Stop / Reset / Operation / Failure / Warning
- Analog I/O
 - Set value speed / Vital status / Current speed value

Bus – Communication

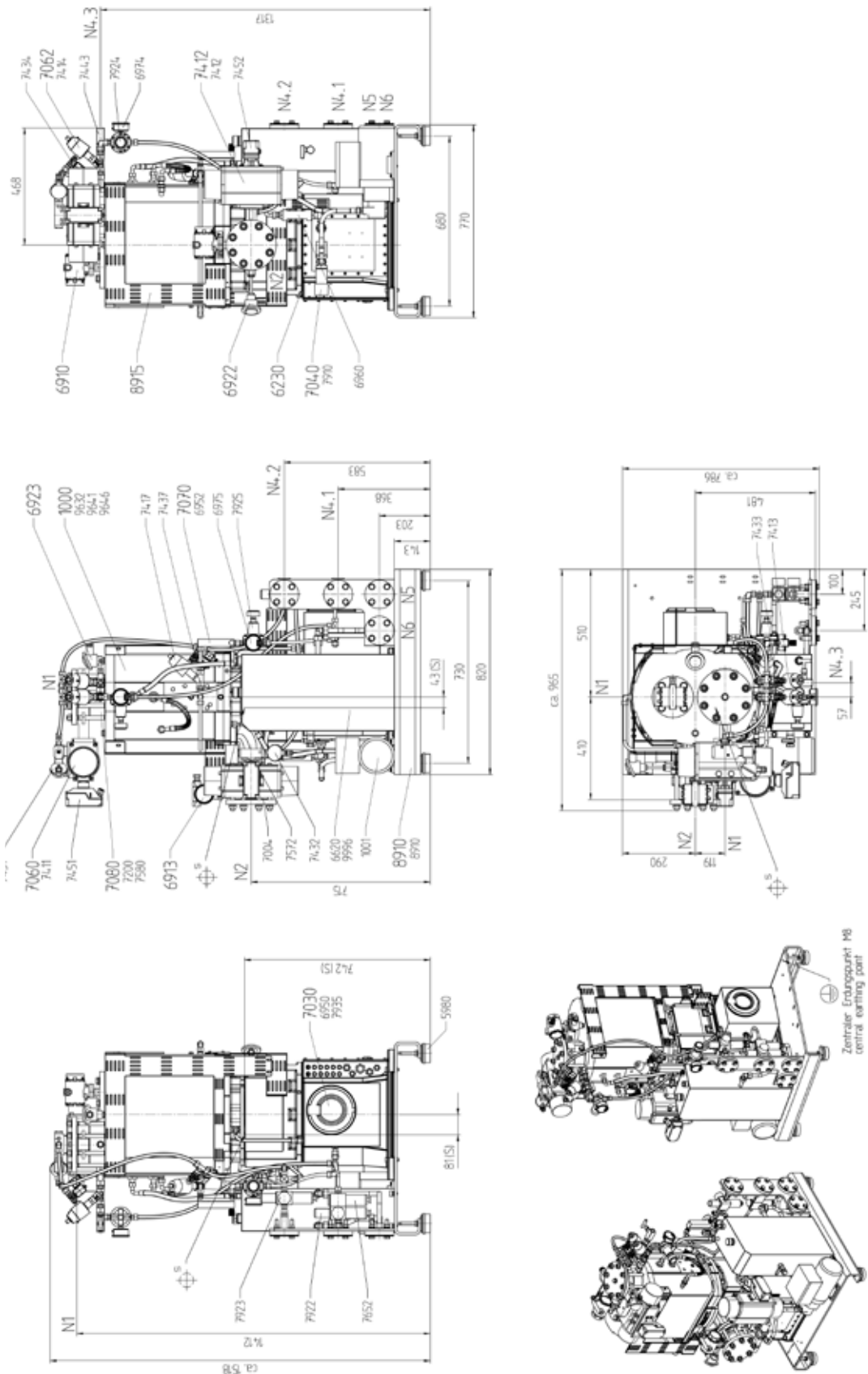
- CANopen Slave ISO11898
- Pump control (see I/O)
- Display of operation mode

Bluetooth – Communication

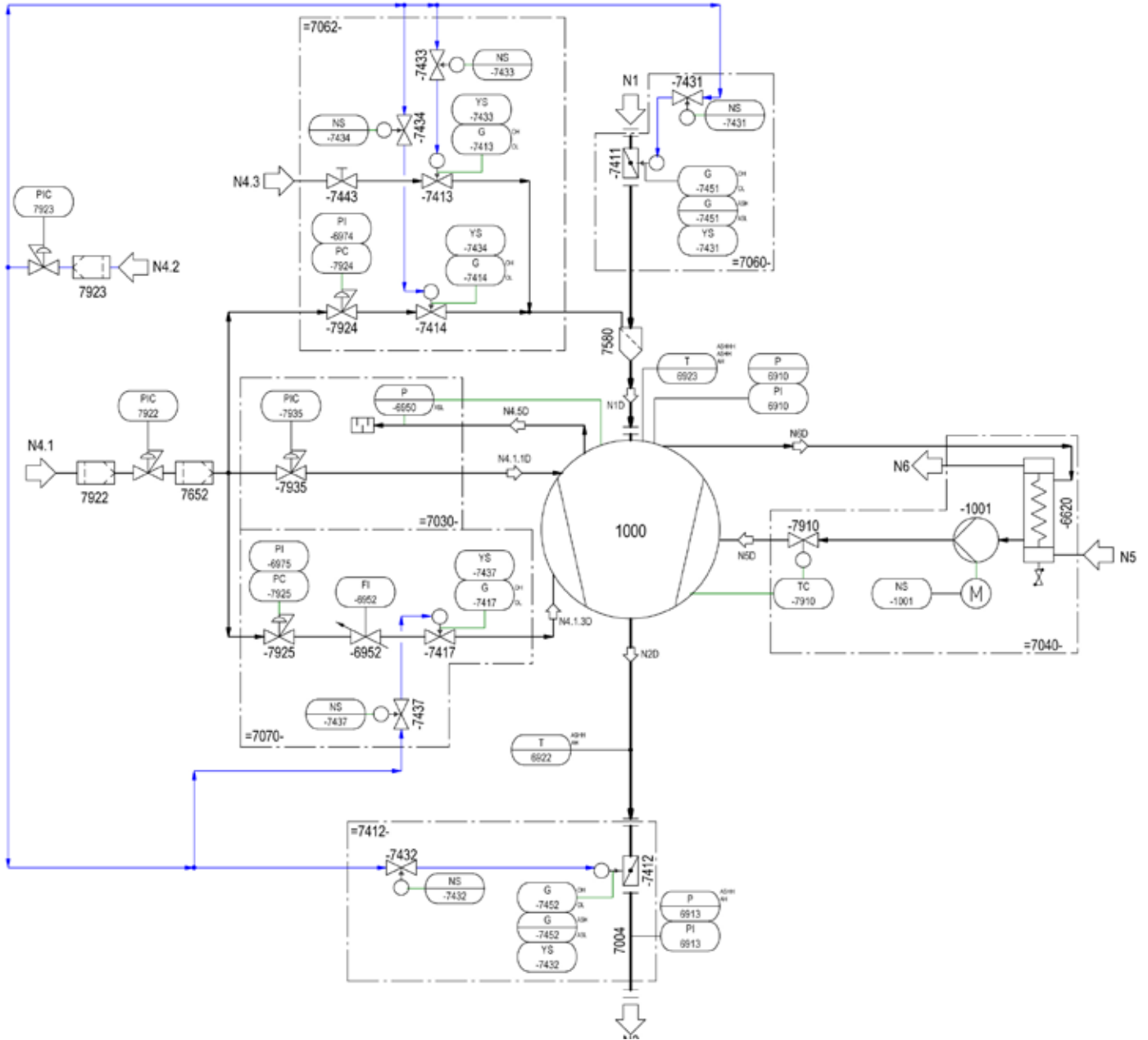
- On-site operation via tablet-PC, SIHI BT remote app via Bluetooth communication and vacuum pump integrated SIHI Control FX sequence control



Dimensions for H400 (mm)



P&ID



Pre-engineered systems – Premium

In addition to the extended basic equipment, this system configuration includes a supply and control unit with HMI display. This allows convenient on-site operation and visualization of the vacuum pump status. The scope of supply includes the following components:

Modules		Description
Vacuum pump	SIHI Dry H250, H400 and H630	<ul style="list-style-type: none"> • Pump • Suction sieve • Integrated motors • Integrated drive control
Control	Control Profibus DP with HMI	<ul style="list-style-type: none"> • Standard control with sequence control and sensor evaluation • Programmable sequence control with different operation modes such as Start, Stop, Warm up, Standby, Vacuum, Injection Cleaning, Post Run and Failure • Variable control parameters such as: Warm up Temperature / Flush Drying Time / Standby Speed • Integrated communication interface
Supply unit / operation	Supply unit Protective motor switch	<ul style="list-style-type: none"> • Plug-in solution with integrated transformer for 24 VDC control voltage generation to supply: <ul style="list-style-type: none"> – Display control unit – SIHI Dry power supply switch – Cooling pump motor overload switch
Purge gas	Purge gas system	<ul style="list-style-type: none"> • Purge gas control unit Ex-p
Base frame	Base frame and rack	<ul style="list-style-type: none"> • Rack for supply unit, control unit and motor overload switch • Base frame with machine feet
Cooling	Secondary cooling circuit	<ul style="list-style-type: none"> • Secondary cooling circuit with cooling pump
Shut-off valve suction	Butterfly valve	<ul style="list-style-type: none"> • Controlled suction shut-off valve
Flushing	Threaded	<ul style="list-style-type: none"> • Controlled N₂ flush and cleaning valve
Gas dilution	Standard	<ul style="list-style-type: none"> • Controlled gas dilution module
Shut-off valve discharge	Butterfly valve	<ul style="list-style-type: none"> • Controlled discharge shut-off valve
Sensors	Thermometer and pressure transmitter	<ul style="list-style-type: none"> • Evaluated Pt100 sensor in cooling jacket, suction and discharge side • Evaluated pressure-side pressure transmitter • Evaluated suction-side pressure transmitter

Pump system control with HMI display (control unit) and sequence control

- Programmed standard control with control sequences such as Start, Stop, Warm up, Standby, Vacuum, Injection Cleaning, Post Run and Failure
- Dirt detection
- Identification bearing lifetime end
- Detailed display of operation mode
- Programmable performance field

Communication interfaces

Bus – Communication

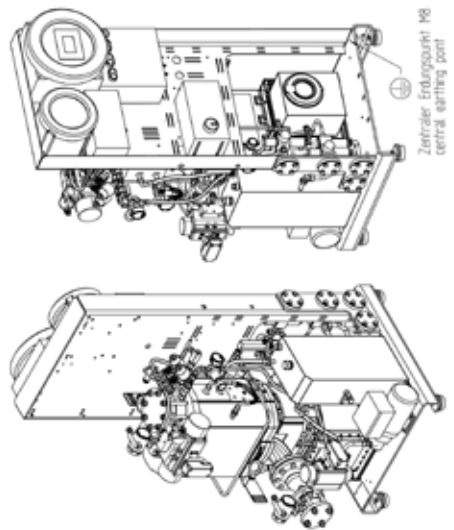
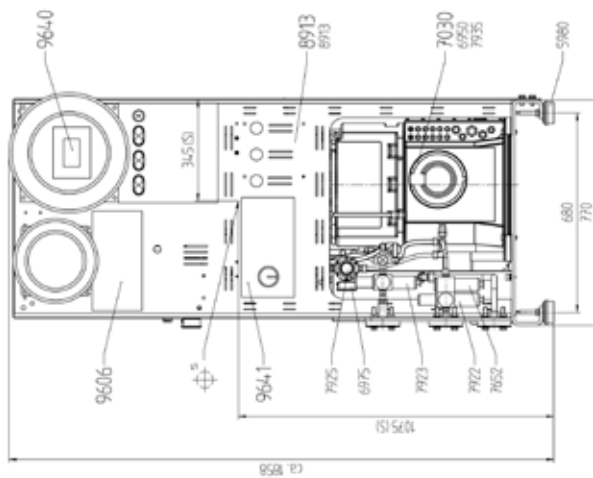
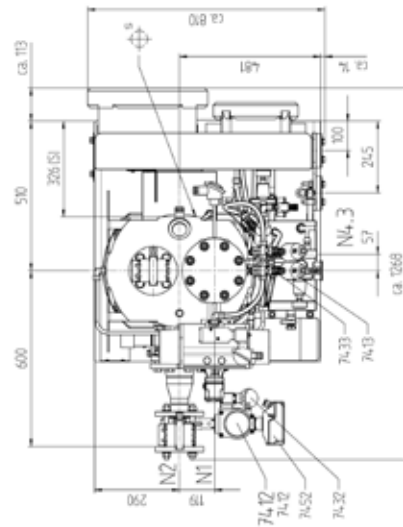
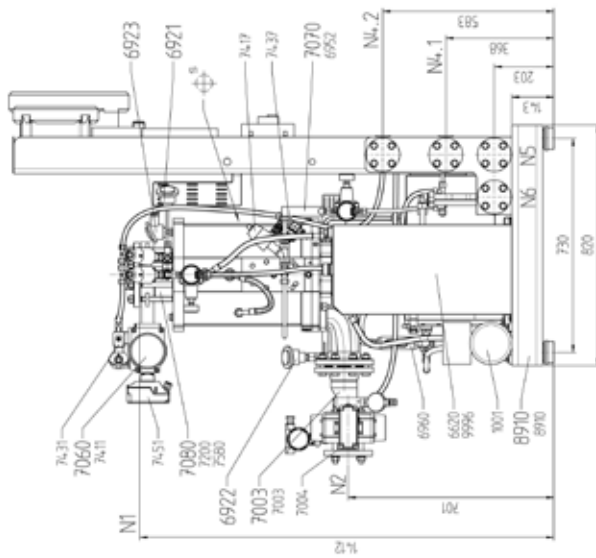
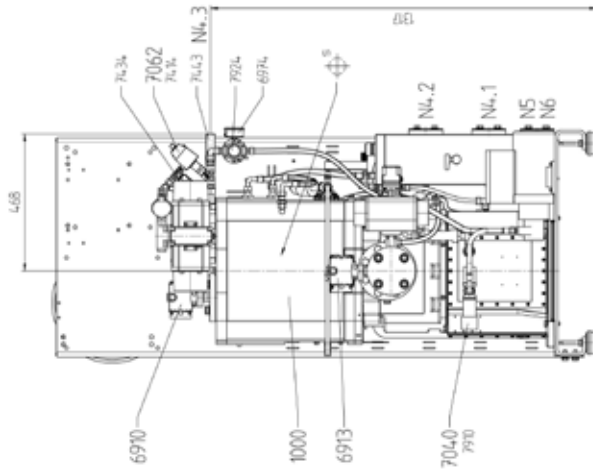
- Profibus DP (IEC 61158)
- Pump control (see control)
- Display of operation mode

On-site display

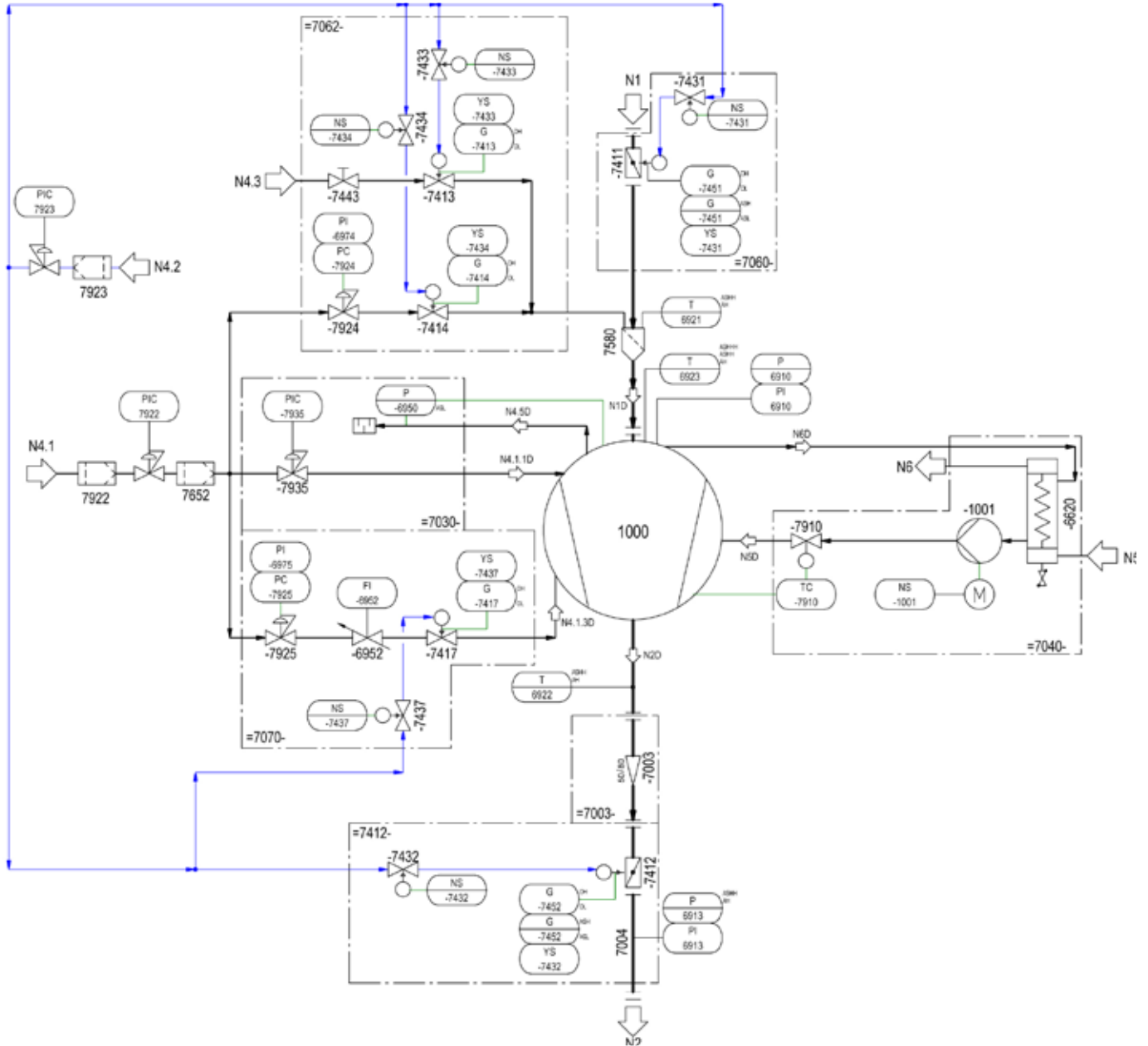
- Visualisation
- On-site operation
- Data logger



Dimensions for H400 (mm)




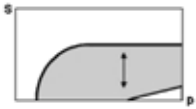
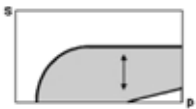
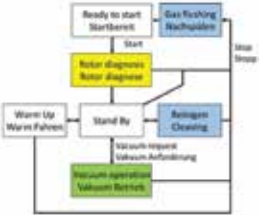
P&ID



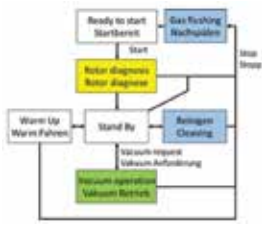




Standard modules for specific applications

SIHI Dry H Series vacuum pump systems can be configured from pre-engineered modules to meet exact system requirements. Numerous modules are available.

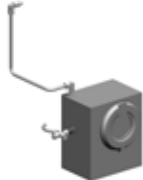
Vacuum pump	Execution	Features
<p>SIHI Dry H250, H400, H630, H750 and H1000</p> 	<ul style="list-style-type: none"> • Pump • Suction strainer • Integrated motors • Integrated drive control 	<p>Two screw-shaped displacing bodies rotating in opposite directions without contact</p>

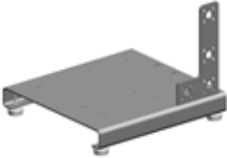

Control	Execution	Features
<p>Basic</p>	<ul style="list-style-type: none"> • Integrated in pump • Control of internal temperature • Control of torque • Electrical overload protection • On-site operation via tablet-PC, SIHI BT remote app via Bluetooth communication 	<p>Operations: Start, stop</p> <p>Status messages: Failure signal</p> <p>No valve control</p> <p>No sensor evaluation</p>
<p>Dynamic</p> <p>Characteristic:</p> 	<p>Like control variant Basic, additionally:</p> <ul style="list-style-type: none"> • Variable speed via integrated frequency converter 	<p>Operations: Start, stop, variable speed</p> <p>Status messages: Failure signal</p> <p>No valve control</p> <p>No sensor evaluation</p>
<p>SIHI Control Fx</p> <p>Characteristic:</p>  <p>Sequence chart:</p> 	<p>Like control variant Dynamic, additionally:</p> <ul style="list-style-type: none"> • On-site operation via tablet-PC, SIHI BT remote app via Bluetooth communication and vacuum pump integrated SIHI Control FX sequence control • Fixed parameter • Data logger • Detailed status messages • Control of internal temperature • Control of torques • Electrical overload protection • Programmed valve control (for all standard valves) • Input for digital signals • Digital status messages 	<p>Communication: Via CAN Bus</p> <p>Operations: Start, stop, vacuum, cleaning, post run</p> <p>Speed set value: Digital</p> <p>Display of operation, modes such as: No Failure, Operation Warning, Failure, Failure messages, etc.</p> <p>Valve control:</p> <ul style="list-style-type: none"> • Valve, suction side • Valve, discharge side • Gas dilution • Cleaning (liquid flushing) • Gas flushing (N₂ flushing) <p>Sensor evaluations:</p> <ul style="list-style-type: none"> • Limit switch, suction side valve • Limit switch, discharge side valve • Pressure transmitter • Temperature sensor <p>Digital inputs: Start, Stop, Vacuum, Cleaning, T_{min} (Warm up), X_{max} (Maximum value evaluation for temperature and pressure)</p> <p>Digital status messages: No Failure, Operation, Warning, Failure, Vacuum, Cleaning</p>



Control	Execution	Features
<p>Control Profibus DP</p>  <p>Characteristic:</p>  <p>Sequence chart:</p> 	<ul style="list-style-type: none"> Control and supply unit mounted directly on the vacuum system On-site operation via HMI Variable parameters for process optimizing as: Pre-run, flushing, post-run timers Data logger Ethernet connection for additional monitoring respectively, connection of modem for remote maintenance Detailed status messages Control of internal temperature Control of torques Electronical overload protection Integrated pressure control Programmed valve control (for standard valves) Input for digital signals Digital status messages Cooling pump control (including post-run) Cooling pump status message via bus available 	<p>Housing: Coated aluminium/ polyester resin</p> <p>Communication: via Profibus DP (IEC 61158)</p> <p>Operations: Start, stop, vacuum, cleaning, post run</p> <p>Speed set values: Digital, via Profibus</p> <p>Display of operation, modes such as: No Failure, Operation Warning, Failure, Failure messages, etc.</p> <p>Valve control:</p> <ul style="list-style-type: none"> Valve, suction side Valve, discharge side Gas dilution Cleaning (liquid flushing) Gas flushing (N₂ flushing) <p>Sensor evaluations:</p> <ul style="list-style-type: none"> Limit switch, suction side valve Limit switch, discharge side valve Pressure transmitters Temperature sensors <p>Digital inputs: Start, Stop, Vacuum, Cleaning, T_{min} (Warm up), X_{max} (Maximum value evaluation for temperature and pressure)</p> <p>Digital status messages: No Failure, Operation, Warning, Failure, Vacuum, Cleaning</p>

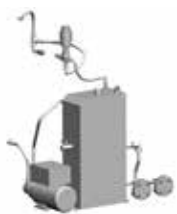





Supply unit / operation	Execution	Features
<p>Supply unit</p> 	<ul style="list-style-type: none"> Plug-in solution with integrated transformer for 24 VDC control voltage generation for display control unit SIHI Dry – Ex-p circuit switch (separation of SIHI Dry supply voltage and communication line with contactors) Wired and mounted on common rack Main switch (lockable) Installation of SIHI Dry and supply unit in Ex-zone 1 	<p>Housing: Coated aluminium/ polyester resin</p> <p>Electrical connection:</p> <p>Frequency: 50 Hz</p> <p>Voltage: 3 x 400 – 500 VAC, PE</p>
<p>Protective motor switch</p> 	<ul style="list-style-type: none"> Coolant pump is controlled via control unit (9X) started and stopped Motor overload switch (externally accessible) Wired and mounted on common rack 	<p>Housing: Coated aluminium/ polyester resin</p> <p>Electrical connection:</p> <p>Frequency: 50 Hz</p> <p>Voltage: 3 x 400 – 500 VAC, PE</p>



SIHI Dry PD H Series





Purge gas	Execution	Features
<p>Purge gas system</p> 	<p>Motor and electronics of SIHI Dry are kept under overpressure with shielding gas. It permits pump installation within a hazardous area. The purge gas system controls the necessary operating conditions.</p>	<p>Housing: Stainless steel</p> <p>Connection: DN12 pipe fitting</p>


Base frame	Execution	Features
<p>Base frame</p> 	<p>Pump (if applicable with secondary cooling circuit and/or emission condenser) are mounted together on a base frame with four machine feet.</p>	
<p>Rack</p> 	<p>Additionally to base frame: Rack assembly for supply unit and control unit</p>	



Cooling	Execution	Features
<p>Direct cooling</p> 	<p>The connection to customer's coolant system is realized with flanges (requires base frame).</p>	<p>Material execution: service side pipe/fittings: 1.4571/NBR</p> <p>Cooling water connections: 2 x DN25 PN40</p>
<p>Direct cooling with thermostatic valve</p> 	<p>Additionally to direct cooling: A temperature controller is installed to adapt the current demand of customer's coolant.</p>	<p>Like direct cooling, additionally:</p> <p>Material execution: service side thermostatic valve: Brass</p>


Cooling	Execution	Features
<p>Secondary cooling circuit</p> 	<p>Closed cooling loop for SIHI Dry</p> <ul style="list-style-type: none"> Internal secondary cooling loop is decoupled from customer side cooling water Protection against contamination and calcification Homogeneous tempered SIHI Dry via temperature controller 	<p>Material execution service side: Cooling loop: 1.4571 Pipe / fittings: 1.4571</p> <p>Cooling water connections: 2x DN25 PN40</p> <p>Electrical connection:</p> <p>Frequency: 50 Hz Voltage: 3 x 400 VAC, PE or 3 x 500 VAC, PE</p>
<p>Secondary cooling with thermostatic valve</p> 	<p>Additionally to secondary cooling circuit: A temperature controller is installed to adapt the current demand of customer's coolant.</p>	<p>Like secondary cooling, additionally:</p> <p>Material execution service side thermostatic</p> <p>Valve: 1.4581 Voltage: 3 x 400 VAC, PE or 3 x 500 VAC, PE</p>
Shut-off valve, suction side	Execution	Features
<p>Butterfly valve</p> 	<p>Isolation of the vacuum pump from the reactor:</p> <ul style="list-style-type: none"> Entry of medium into the working chamber after process is prevented Backflow through the pump and resulting ventilation of the reactor are avoided. 	<p>Scope of supply:</p> <ul style="list-style-type: none"> Valve, PFA/PTFE conductive lined Drive, designed for control pressure of 3 to 6 barg (43 to 87 psig), closed by spring energy Solenoid valve Limit switch
Gas and liquid flushing	Execution	Features
<p>Flanged</p> 	<p>The gas flushing using inert gas allows drying or also the discharge of residual gases from the work chamber. In addition, a liquid flush can remove particles or deposits.</p> <p>The flushing can be activated by a cleaning request, post-run or injection flushing.</p>	<p>Scope of supply:</p> <ul style="list-style-type: none"> 2/2-ways-valve, DN25, stainless steel / PTFE with drive, designed for control pressure of 3 to 6 barg (43 to 87 psig), closed by spring energy Solenoid valve Pressure reducer Needle valve Stainless steel piping
<p>Threaded</p> 	<p>Like above, but threaded connections instead of flange connections.</p>	<p>Scope of supply:</p> <ul style="list-style-type: none"> 2/2-ways-valve, G 1/2 in, stainless steel / PTFE with drive, designed for control pressure of 3 to 6 barg (43 to 87 psig), closed by spring energy Solenoid valve Pressure reducer Needle valve, stainless steel
Connection, suction side	Execution	Features
<p>Adapter</p> 	<p>Adapter for installation of sensors and/or flushing valves on suction side for systems with flame arresters.</p>	<p>Material execution: Stainless steel 1.4571</p>

Gas dilution	Execution	Features
<p>For H250 to H630</p> 	<p>To minimize deposits and corrosion, dry inert gas (e.g., nitrogen) is injected into the working space of the SIHI Dry pump.</p>	<p>Scope of supply:</p> <ul style="list-style-type: none"> • 2/2-ways-valve, G 1/2 in, stainless steel / PTFE with drive, designed for control pressure of 3 to 6 barg (43 to 87 psig), closed by spring energy • Solenoid valve • Flow indicator (430 to 4,300 NI/h, 15.2 to 152 SCFM) with needle valve • Pressure reducer
<p>For H750 and H1000</p> 	<p>To minimize deposits and corrosion, cooled exhaust gas from the emission condenser is returned to the SIHI Dry working chamber</p>	<p>Material execution: Stainless steel 1.4571</p>

Shut-off valve, cooling discharge side	Execution	Features
<p>Butterfly valve</p> 	<p>Isolation of the vacuum pump from the exhaust line. The pump will be decoupled from the vent system and is protected from condensable media during standstill.</p>	<p>Scope of supply:</p> <ul style="list-style-type: none"> • Valve, PFA/PTFE, conductive lined • Drive designed for control pressure of 3 to 6 barg (43 to 87 psig), closed by spring energy • Solenoid valve • Limit switch • Stainless steel measuring branch
<p>Discharge condenser for H250 and H400</p> 	<p>Discharge condenser for condensation of vapors.</p>	<p>Type:</p> <ul style="list-style-type: none"> • Plate and shell – condenser • Exchange area 2.1 m² <p>Material execution (product / service side): Stainless steel / stainless steel or Stainless steel / steel</p> <p>Connections:</p> <ul style="list-style-type: none"> • Process side: DN50/PN16 • Service side: DN25/PN16
<p>Emission condenser for H630, H750 and H1000</p> 	<p>To minimize deposits and corrosion, cooled exhaust gas from the emission condenser is returned to the SIHI Dry working chamber.</p>	<p>Type:</p> <ul style="list-style-type: none"> • Tube & shell – Condenser • Exchange area 1,7 m² <p>Material execution (product / service side):</p> <ul style="list-style-type: none"> • Stainless steel / Stainless steel <p>Material executionConnections:</p> <ul style="list-style-type: none"> • Process side: DN50/PN16 • Service side: DN25/PN16 • Gas feedback: DN80/PN16 • Ventilation: G 1/8" • Drain service port: G 1/2" • Measuring port: G 1/2"
<p>Emission condenser with shut-off valve for H630, H750 and H1000</p> 	<p>Additionally to Emission condenser for H750 and H1000: Shut-off valve</p> <p>Like mission condenser for H750 and H1000, additionally:</p>	<p>Scope of supply:</p> <ul style="list-style-type: none"> • Valve, PFA/PTFE- conductive lined • Drive, designed for control pressure of 3...6 bar g, closed by spring energy • Solenoid valve (Ex-e) • Limit switch (Ex-d)

Connection, discharge side	Execution	Features
<p>Transition pipe</p> 	<p>For connection of components on the discharge side, i.e., discharge condenser.</p>	<p>Material execution: Stainless steel</p>

Sensors	Execution	
<p>Resistance thermometer</p> 	<p>Resistance thermometer (Pt100) for measuring temperature on suction side and/or</p> <p>Resistance thermometer (Pt100) for measuring coolant temperature and/or</p> <p>Resistance thermometer (Pt100) for measuring temperature on discharge side</p>	
<p>Pressure transmitter</p> 	<p>Pressure transmitter for measuring of suction pressure and/or</p> <p>Pressure transmitter for measuring dynamic pressure or exhaust pressure</p>	

Accessories	Execution	Feature
<p>Flame arrester</p> 	<p>Besides the necessary measurement devices, flame arresters (IIB3 for H250 and H400 or IIC for H250) are equipped to fulfil the requirements of a cat 1 system.</p>	<p>Material execution: Flame arrester IIB3: stainless steel</p> <p>Flame arrester IIC: stainless steel</p>



Flowserve Corporation
5215 North O'Connor Blvd.
Suite 2300
Irving, Texas 75039-5421 USA
Telephone: +1 937 890 5839

PUTB000255 (EN/A4) August 2020

Flowserve Corporation has established industry leadership in the design and manufacture of its products. When properly selected, this Flowserve product is designed to perform its intended function safely during its useful life. However, the purchaser or user of Flowserve products should be aware that Flowserve products might be used in numerous applications under a wide variety of industrial service conditions. Although Flowserve can provide general guidelines, it cannot provide specific data and warnings for all possible applications. The purchaser/user must therefore assume the ultimate responsibility for the proper sizing and selection, installation, operation, and maintenance of Flowserve products. The purchaser/user should read and understand the Installation Instructions included with the product, and train its employees and contractors in the safe use of Flowserve products in connection with the specific application.

While the information and specifications contained in this literature are believed to be accurate, they are supplied for informative purposes only and should not be considered certified or as a guarantee of satisfactory results by reliance thereon. Nothing contained herein is to be construed as a warranty or guarantee, express or implied, regarding any matter with respect to this product. Because Flowserve is continually improving and upgrading its product design, the specifications, dimensions and information contained herein are subject to change without notice. Should any question arise concerning these provisions, the purchaser/user should contact Flowserve Corporation at any one of its worldwide operations or offices.

©2020 Flowserve Corporation. All rights reserved. This document contains registered and unregistered trademarks of Flowserve Corporation. Other company, product, or service names may be trademarks or service marks of their respective companies.