

ARGUS Ball Valve with Actuator and Controls

Automated Valve

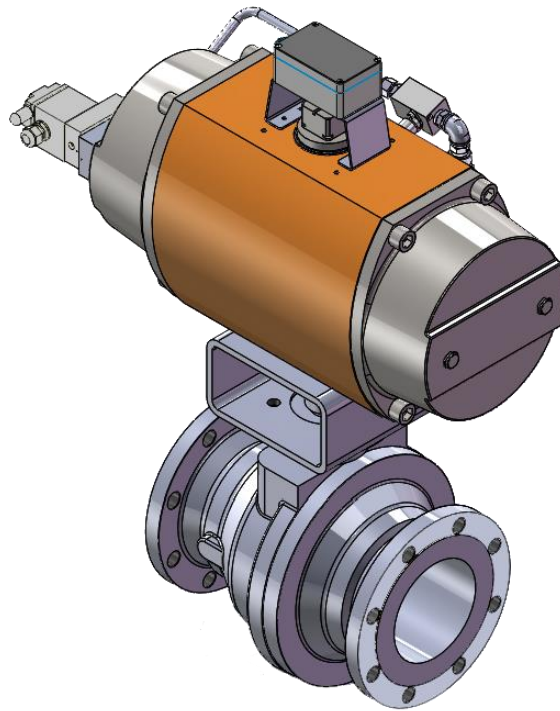
BA2000 EN

**Installation
Commissioning
Maintenance**

Translation of the superior original operating manual



Read and observe this operating manual before using an automated ARGUS Ball Valve with Actuator and Controls.





Copyright Notice

All rights reserved. No part of this operating manual may be reproduced, stored in a retrieval system or transmitted in any form or by any means without prior permission of Flowserve Corporation.

Document version

Rev.: A, 26. Nov. 2020

Table of Contents

1	General Information.....	2
2	Safety and Health Protection.....	2
2.1	Grouped Safety Messages	2
2.2	Intended Use.....	3
2.3	Explosion-Endangered Area.....	3
2.4	Other Hazards.....	3
3	Receipt of Goods/Inspection of Delivery and Accompanying Documents	3
4	Transport and Storage	3
4.1	Safety Messages.....	3
4.2	Transport of the Automated Valve.....	4
4.2.1	Transport Conditions	4
4.2.2	Transporting the Automated Valve	5
4.2.3	Permissible and Impermissible Attachment	6
4.3	Storing the Automated Valve	10
5	Identification of the Automated Valve.....	10
5.1	European Economic Area.....	10
5.2	Non-European Economic Area.....	10
5.3	Nameplates of the Automated Valve Components.....	10
6	Installation, Connection and Commissioning.....	11
6.1	Safety Messages.....	11
6.2	Qualified Personnel.....	12
6.3	Supporting the Automated Valve	13
7	Maintenance	13
8	Shutdown, Disassembly and Disposal.....	13
8.1	Safety Messages.....	13
8.2	Shutting Down, Dismantling and Disposing of the Automated Valve.....	14


1 General Information

This operating manual for automated valves (also called units) consisting of an ARGUS Ball Valve, actuator and control modules contains important information for the qualified personnel who carry out work on the automated valve. The manufacturer documentations (e.g. user instructions) and conformity documents of the automated valve components are an essential part of the overall documentation of the automated valve. The arrangement drawing usually illustrates the automated valve in detail and provides important information about connections, function, performance, dimensions and weights.

These operating manual, manufacturer documentations and the relevant conformity documents are part of the scope of supply.

 Report incomplete, missing, damaged or illegible documents immediately so that Flowserve Flow Control GmbH can replace them without delay.

2 Safety and Health Protection

	<p>Comply with all relevant health and safety regulations. Ensure that personal protective equipment, devices, tools, lifting gear and slings are always suitable or designed for the respective application. Observe information in the manufacturer's documentation (e.g. operating manual) of the components of the automated valve.</p>
---	--

2.1 Grouped Safety Messages

⚠ WARNING	<p>Risk of injury due to insufficient qualification of personnel!</p> <p>Insufficient qualification of personnel can lead to severe injuries.</p> <ul style="list-style-type: none"> ▶ Make sure that only qualified personnel with suitable personal protective equipment (PPE) and suitable tools are employed. ▶ Make sure that no unauthorised persons have access to the automated valve.
------------------	---

NOTICE	<p>Risk of material damage due to insufficient qualification of personnel!</p> <p>Insufficient qualification of personnel can lead to material damage to the automated valve.</p> <ul style="list-style-type: none"> ▶ Make sure that only qualified personnel with suitable personal protective equipment (PPE) and suitable tools are employed. ▶ Make sure that no unauthorised persons have access to the automated valve.
---------------	---

2.2 Intended Use


The intended use of the automated valve is specified in the manufacturer's documentation of a component of the automated valve. Furthermore, the application limits with regard to fluids or solids, pressure, temperature, performance and operating environment of the automated valve are defined by manufacturer specifications and are indicated on the component nameplates.

2.3 Explosion-Endangered Area


The manufacturer documentation and the nameplates on the components of the automated valve provide information about the suitability for use in an explosive atmosphere.

2.4 Other Hazards

Other risks for man or the environment may occur during the product life phases depending on the device specification or application.


-  Observe the applicable regulations, for example for the protection against electrical hazards, noise protection, radiation protection, handling of hazardous substances or electromagnetic compatibility.

3 Receipt of Goods/Inspection of Delivery and Accompanying Documents

-  After receipt of goods, check whether the delivery matches the information on the delivery bill.
Notify the forwarding agent and Flowserve Flow Control GmbH immediately of any deviations.
Also note that the scope of delivery of the components is specified in the respective manufacturer's documentation.

4 Transport and Storage

4.1 Safety Messages

	<div style="background-color: #ff8c00; color: black; padding: 5px; margin-bottom: 10px;">⚠ WARNING</div> <p>Risk of injury due to improper transport!</p> <p>Improper transport can lead to serious injuries.</p> <ul style="list-style-type: none"> ▶ Protect instrumentation and apply edge protection. ▶ Attach automated fitting ≥ 15 kg according to the specifications in chapter 4.2. ▶ Pay attention to the centre of gravity and secure against tipping over sideways. ▶ Never stand under suspended loads.
---	--

NOTICE**Risk of material damage due to improper transport!**

Improper transport can lead to material damage.

- ▶ Protect instrumentation and apply edge protection.
- ▶ Attach automated fitting ≥ 15 kg according to the specifications in chapter 4.2.
- ▶ Pay attention to the centre of gravity and secure against tipping over sideways.

NOTICE**Risk of material damage due to incorrect storage!**

Incorrect storage of the automated ARGUS Ball Valve can lead to material damage.

- ▶ Observe the following storage location conditions.

4.2 Transport of the Automated Valve

4.2.1 Transport Conditions

After proper loosening of the load securing device and unpacking, in case of a heavy (≥ 15 kg) or bulky automated valve it is necessary to use lifting equipment for reloading or further transport.

The following conditions must be checked for safe transport of the automated valve with lifting equipment:

- Place, fix and secure the automated valve so that no instruments or pipe elements of the automation unit can be damaged.
- Secure automated valve against tilting and slipping.
- If there are several attachment points (e.g. at ball valve and actuator), make sure that all round slings are tensioned.

4.2.2 Transporting the Automated Valve



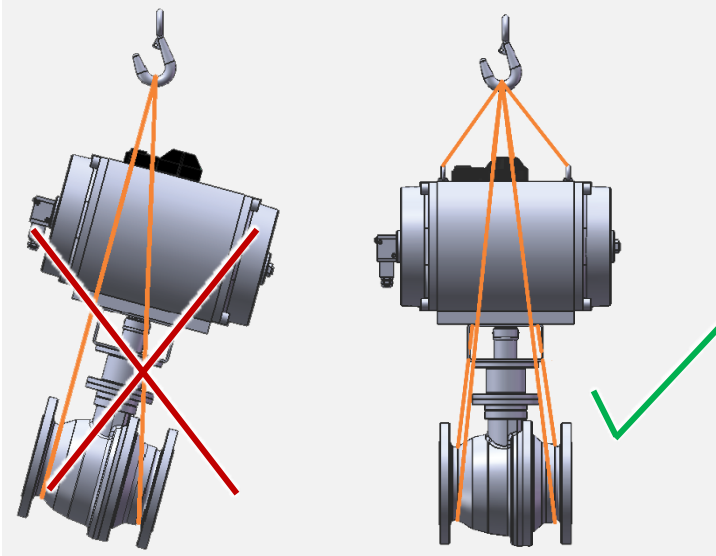
The automated valve is

- released from the load securing.
- separated from the packaging.

1. Protect the instrumentation of the automated valve
2. Attach a suitable edge protection to the automated fitting.
3. Correctly attach the automated valve depending on the later installation position.



See the following section 4.2.3.



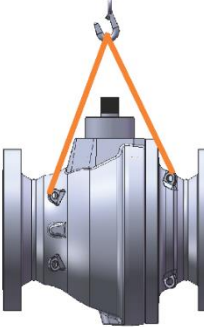


4. Transport the automated valve to its destination.
- ✓ The transport of the automated valve is completed.

4.2.3 Permissible and Impermissible Attachment

The following tables show the permissible and non-permissible stop of the ball valve, actuator and automated valve.

Table 1: Permissible attachment

	<p>Explanation</p>
	<p>Round slings placed around the ball valve body</p>
	<p>Round slings hooked into lifting eyes on ball valve</p>


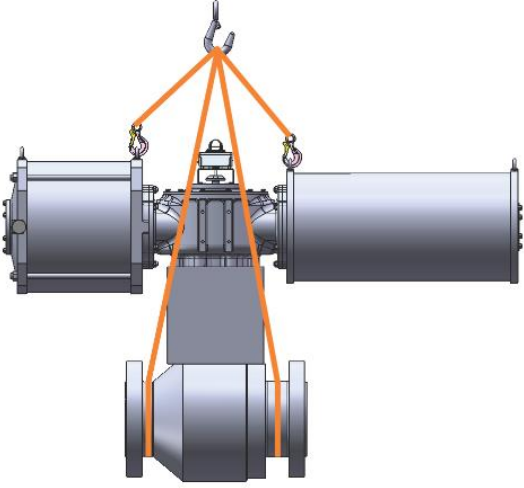
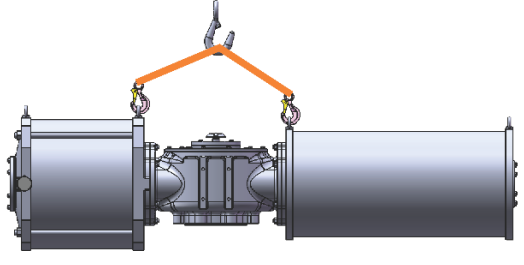
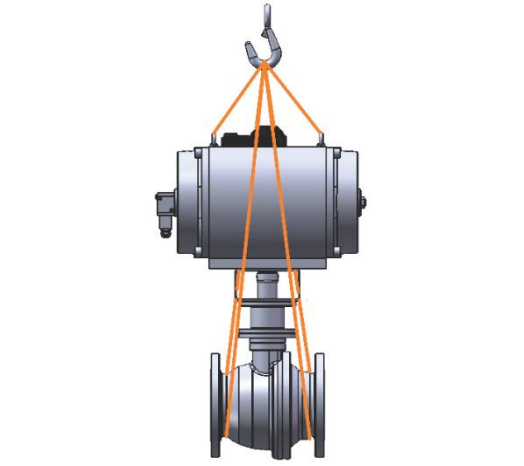

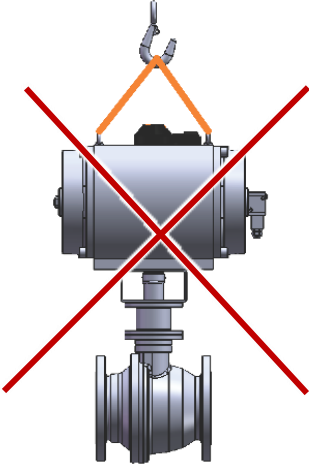
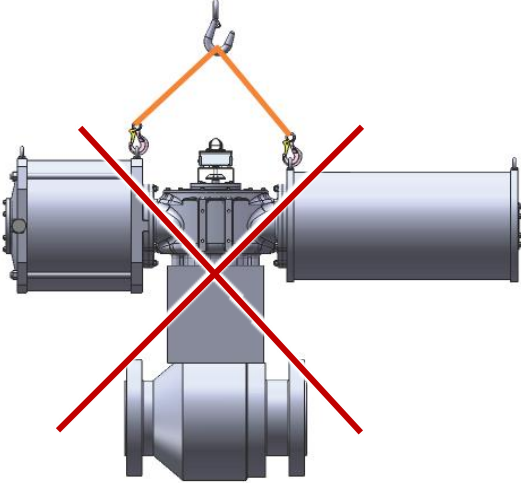

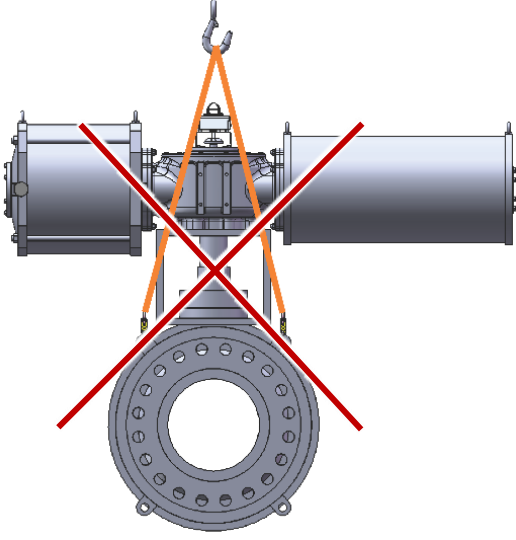
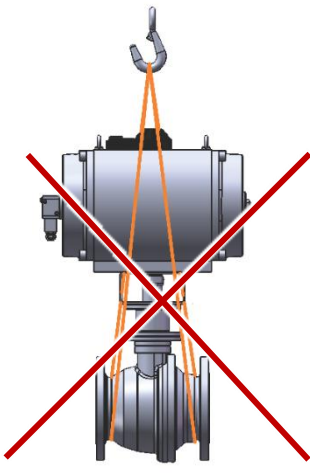
	<p>Explanation</p>
	<p>Round slings with load hooks hooked on the actuator and round slings placed around the ball valve body</p>
	<p>Round slings with load hooks hooked on the actuator</p>
	<p>Round slings hooked in lifting eyes on the actuator and placed around the ball valve body</p>

Table 2: Impermissible attachment

	<p>Explanation</p>
	<p>Not sufficient: Round slings only hooked into the lifting eyes of the actuator</p> <p>Permissible attachment: Always attach both the ball valve and actuator</p>
	<p>Not sufficient: Round slings only hooked into load hooks on the actuator</p> <p>Permissible attachment: Always attach both the ball valve and actuator</p>

	Explanation
	<p>Not sufficient: Round slings hooked into lifting eyes on the ball valve</p> <p>Permissible attachment: Always attach both the ball valve and actuator</p>
	<p>Not sufficient: Round slings only placed around the ball valve body</p> <p>Permissible attachment: Always attach both the ball valve and actuator</p>

4.3 Storing the Automated Valve

An automated valve is stored in an environment that meets the following conditions:

Indoor (long-term storage):

- dry, free of dust and adequately ventilated
- storage temperature between +5 °C and +40 °C
- relative humidity of < 50 %

Outdoor/construction site area (short-term storage; ≤ 7 days):

- storage temperature between –10 °C and +50 °C



Also observe the storage instructions for the individual components of the automated valve. These can be found in the respective manufacturer's documentation in the chapter Storage.

5 Identification of the Automated Valve

5.1 European Economic Area

An automated valve, which is defined as a partly completed machine in accordance with the Machinery Directive 2006/42/EC, can be clearly identified by means of the type plate of the ball valve or the actuator.

For the clear identification of an automated valve, which is defined as a complete machine according to the Machinery Directive 2006/42/EC, a plate with CE mark is attached to the console between the valve and the actuator. The Flowserve Flow Control GmbH can retrieve all relevant data regarding specification, design, quality assurance and documentation of the automated valve by the 16-digit identification number "Art. #" that is indicated on the plate.

The prefix "01-" of the identification number marks valves that have been automated by Flowserve Flow Control GmbH.

The prefix "02-" of the identification number marks valves that have not been automated by Flowserve Flow Control GmbH.

5.2 Non-European Economic Area

An automated valve can be clearly identified by the type plate of the ball valve or the actuator.

5.3 Nameplates of the Automated Valve Components

Within the scope of valid laws, ordinances and directives, the individual components are labelled such that the components can be clearly identified. In addition, the nameplate carries information about the limitations of use to be observed.





Observe the information regarding intended use on the component nameplates!


6 Installation, Connection and Commissioning


6.1 Safety Messages

	<p><i>To avoid personal injury and/or damage to property, ensure that the installation, connection and commissioning of the automated valve is carried out exclusively by qualified personnel with suitable protective equipment (PPE) and suitable working tools.</i></p>
---	--

	<p>⚠ WARNING</p> <p>Risk of injury due to improper functional testing of the automated valve that is not installed!</p> <p>An improper function test can lead to serious injuries.</p> <ul style="list-style-type: none"> ▶ Close the interior of the ball valve so that no limbs can get into it. ▶ Keep a safe distance to all moving parts.
---	--

	<p>⚠ WARNING</p> <p>Risk of injury due to an unsupported or insufficiently supported automated valve!</p> <p>An unsupported or insufficiently supported automated valve can lead to serious injuries.</p> <ul style="list-style-type: none"> ▶ Consult the support of the Flowserve Flow Control GmbH to select a suitable support. ▶ Support the automated valve according to Flowserve recommendations. ▶ Do not stay below an automated valve installed in the pipeline.
---	--

	<p style="text-align: center;">NOTICE</p> <p>Risk of material damage due to an unsupported or insufficiently supported automated valve!</p> <p>An unsupported or insufficiently supported automated valve can lead to material damage.</p> <ul style="list-style-type: none"> ▶ Consult the support of the Flowserve Flow Control GmbH to select a suitable support. ▶ Support the automated valve according to Flowserve recommendations. ▶ Do not stay below an automated valve installed in the pipeline.
---	---

	<p style="text-align: center;">NOTICE</p> <p>Risque de dommages matériels par du personnel non qualifié !</p> <p>L'utilisation de personnel non qualifié pour l'installation, le raccordement et la mise en service peut entraîner des dommages matériels.</p> <ul style="list-style-type: none"> ▶ N'utilisez que du personnel qualifié. ▶ Observez la documentation du fabricant sur les composants de la vanne automatisée.
--	--

6.2 Qualified Personnel

Installation in the piping, connection to the energy supply and process control systems and operation of the automated valve are carried out by persons who, based on their

- training, experience and instruction
- and based on their knowledge of pertinent legal regulations, standards, accident prevention regulations and operating conditions

have been authorised to perform the respective necessary activities.


These persons must be able to recognise hazardous situations and eliminate risks.

The manufacturer's documentation of the components of the automated valve must be observed.


6.3 Supporting the Automated Valve

Regardless of the size and installation position of the automated valve, check whether a support for the ball valve and/or actuator is required.

Vibrations or impacts during operation may also require damping or support.


 On request, Flowserve Flow Control GmbH can advise you on the selection of a suitable support.


7 Maintenance


 An automated valve consists of different components. Every component comes with a manufacturer documentation which contains information and hints on maintenance in the maintenance chapter.
Create a master maintenance schedule based on the respective maintenance chapter which takes the maintenance cycles of all components into consideration.

8 Shutdown, Disassembly and Disposal

8.1 Safety Messages

	<p style="text-align: center;">⚠ DANGER</p> <p>Risk of injury from fluid residues and trapped pressure!</p> <p>Fluid residue and trapped pressure can cause serious injury or death.</p> <ul style="list-style-type: none"> ▶ Turn the ARGUS Ball Valve several times so that fluid residues and trapped pressure can escape. ▶ Collect all fluid residues with a collection container and dispose of them properly and appropriately.
---	--

	<p style="text-align: center;">⚠ WARNING</p> <p>Risk of injury from supply energy (e.g. electrical or pneumatic energy)!</p> <p>Supply energy can lead to serious injuries.</p> <ul style="list-style-type: none"> ▶ Ensure that the automated valve is isolated from all energy sources.
---	--

	<p style="text-align: center;">NOTICE</p> <p>Risk of environmental pollution due to fluid residues and trapped pressure!</p> <p>Fluid residues and trapped pressure can damage the environment.</p> <ul style="list-style-type: none"> ▶ Turn the ARGUS Ball Valve several times so that fluid residues and trapped pressure can escape. ▶ Collect all fluid residues with a collection container and dispose of them properly and properly.
---	--

8.2 Shutting Down, Dismantling and Disposing of the Automated Valve

The following conditions must be met for decommissioning, dismantling and disposal:

- The actuator is powerless.
- The return springs of the actuator are relaxed.
- Pneumatic, electric or hydraulic supply lines are clearly separated.
- The pipeline is pressureless and free of fluid residues.



Observe the manufacturer's documentation of the components for proper and proper decommissioning and disassembly.



Ensure that disposal is only carried out by approved specialist companies that are experienced in handling environmentally hazardous substances (e.g. toxic or aggressive fluid residues).
For all components, also observe the disposal instructions in the manufacturer's documentation of the components.

Flowserve Factory Contacts:

Flowserve Flow Control GmbH
Rudolf-Plank-Str. 2
76275 Ettlingen
Germany
Phone: +49 7243 1030
Fax: +49 7243 103222
Email: argus@flowserve.com
www.flowserve-argus.de

Local Flowserve Representative:

To find your local Flowserve representative use the Sales Support Locator System found at www.flowserve.com.

Flowserve Corporation has established industry leadership in the design and manufacture of its products. When properly selected, this Flowserve product is designed to perform its intended function safely during its useful life. However, the purchaser or user of Flowserve products should be aware that Flowserve products might be used in numerous applications under a wide variety of industrial service conditions. Although Flowserve can provide general guidelines, it cannot provide specific data and warnings for all possible applications. The purchaser/user must therefore assume the ultimate responsibility for the proper sizing and selection, installation, operation, and maintenance of Flowserve products. The purchaser/user should read and understand the user instructions included with the product and train its employees and contractors in the safe use of Flowserve products in connection with the specific application.

While the information and specifications contained in this literature are believed to be accurate, they are supplied for informative purposes only and should not be considered certified or as a guarantee of satisfactory results by reliance thereon. Nothing contained herein is to be construed as a warranty or guarantee, express or implied, regarding any matter with respect to this product. Because Flowserve is continually improving and upgrading its product design, the specifications, dimensions and information contained herein are subject to change without notice. Should any question arise concerning these provisions, the purchaser/user should contact Flowserve Corporation at any one of its worldwide operations or offices. For more information about Flowserve Corporation, contact www.flowserve.com or call USA 1-800-225-6989.

© November 2020, Flowserve Corporation, Irving, Texas

FLOWSERVE REGIONAL SALES OFFICES:

America

Flowserve Corporation
3993 W. Sam Houston
Parkway North
Suite 100
Houston, TX 77043

China

Beijing Flow Control Operations
22A1/A2, Hanwei Plaza
No. 7 Guanghua Road,
Chaoyang District,
Beijing 100004, China

Flowserve China & Southeast Asia
Suzhou Office
No.49 Weixin Road,
Suzhou Industrial Park,
Jiangsu Province, China, 215122

Asia Pacific

Flowserve Pte. Ltd.
12 Tuas Avenue 20
Republic of Singapore 638824
Phone: 65 862 3332
Fax: 65 862 2800