



# TECHNICAL BULLETIN

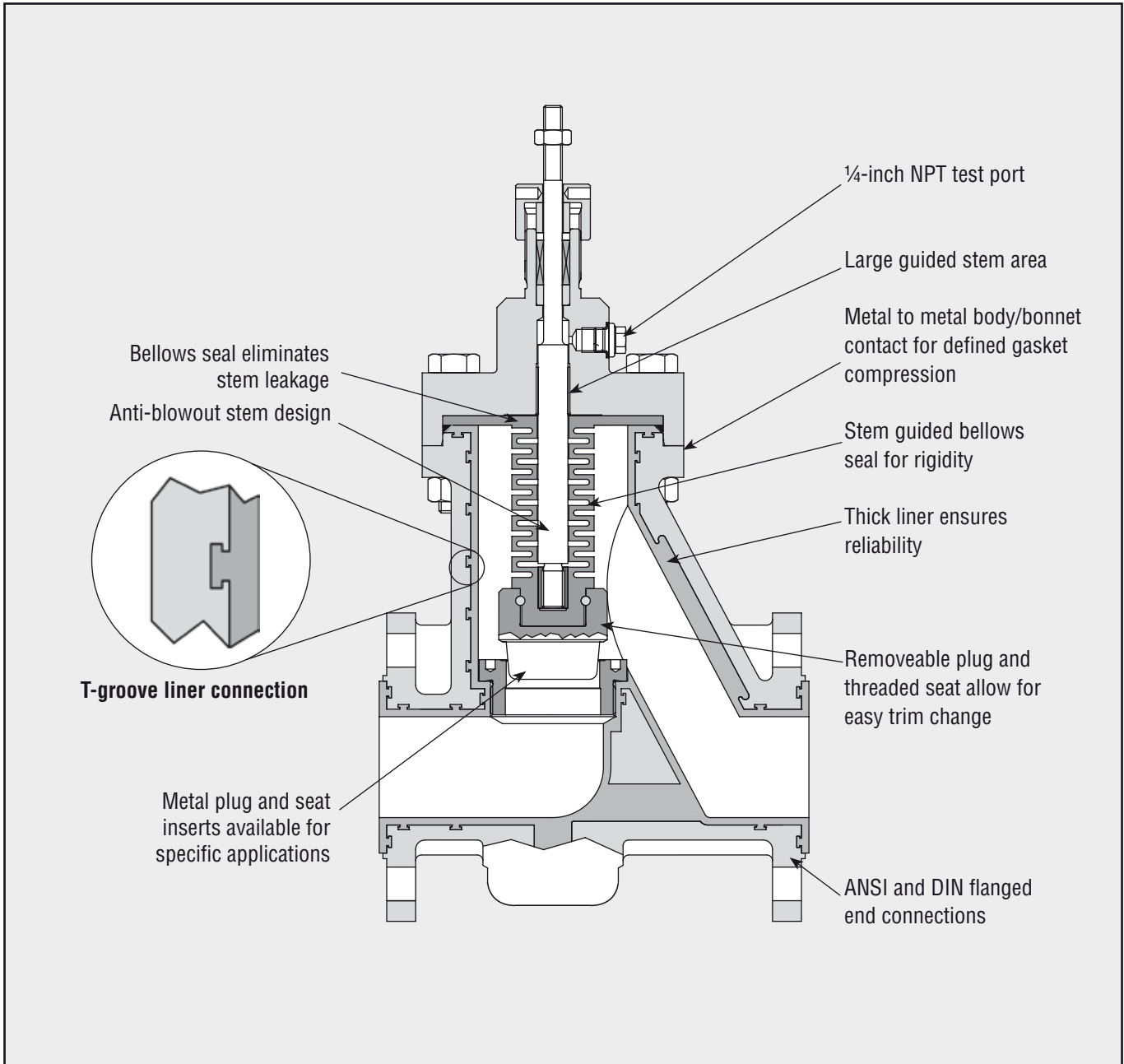
## **Kämmer® LinedFlow™ - 132000** Corrosive Application Valves

FCD KMENTB3221-02 06/14



*Experience In Motion*

## Description



**Figure 1: 132000 Series Body Assembly**

Flowserve's Kammer 132000 Series control valves combine many years of expertise in manufacturing both plastic lined valve bodies and precision globe control valves. With a variety of high quality linings available, this

valve can be used in many corrosive mediums, and the unique bellows design allows for working pressures of up to 232 psig. In addition, the 132000 series has high flow capacities verified by flow testing.

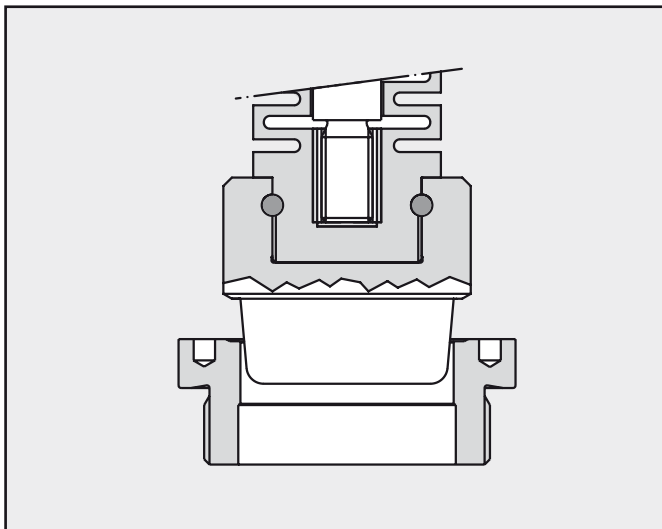
## Features and Benefits

**Table 1: 132000 Series Features and Benefits**

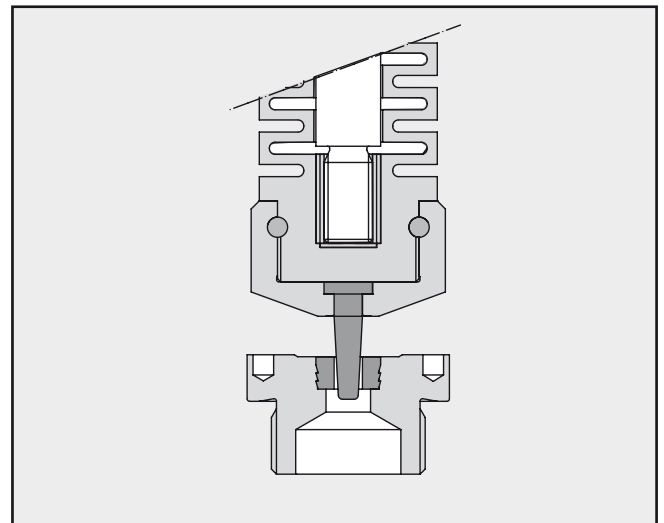
Features	Benefits
<b>Liner Materials</b>	Multiple high quality liner materials are available to cover most corrosive applications, including: PFA and PFA anti-static.
<b>Liner Thickness</b>	The liner thickness provides a high degree of protection from corrosive medias.,
<b>Liner Connection</b>	T-grooves ensure a positive mechanical connection between the liner material and the valve body. This feature is especially important in vacuum applications.
<b>Bellows Seal</b>	The unique bellows design allows for working pressures up to 232 psig. Very high cycle life bellows (based on extensive cycle testing) are separable from plug to allow easy maintenance.
<b>Trim Design</b>	Large selection of precision and custom flow curves High rangeability Very large flow capacity ( $C_v$ ) per valve size Separable plug head and threaded seat ring for easy maintenance
<b>Metal Plug and Seat Inserts</b>	Metal plug and seat inserts enable smaller $C_v$ values Wear resistance Higher rangeability
<b>End Connections</b>	ANSI 150# flanges with ANSI face-to-face ANSI 150# flanges with DIN face-to-face DIN PN 16 flanges with DIN face-to-face
<b>Safety</b>	Anti-blowout stem design ¼-inch NPT leak detection port Backup packing for additional protection

### Trim

The seat and plug are threaded, i.e, replacement is possible at any time when a  $K_{vs}$  value change is required or for repair purposes. The plug is threaded into the bellows and secured against loosening by a PTFE insert. For smaller  $K_{vs}$  values, a Hastelloy insert can be provided in the plug or in the seat,



**Figure 2: Separable Plug, Seat and Bellows**



**Figure 3: Metal Plug and Seat Inserts**

## Lining Materials

High quality lining material, such as PFA (Perfluoroalkoxy resin), protects the metal parts of the valve assembly. T-grooves provide an extremely reliable connection between the liner and the metal valve body, which is especially important in vacuum applications. The liner thickness is at least 5 mm for 1-inch to 6-inch (DN 25-

150) valve sizes (3,5 mm liner thickness for ½-inch and ¾-inch (DN 15-20) valves). A variety of other liner materials including FEP, PP, PVDF, ETFE and anti-static PFA are available to meet the requirements for most applications.

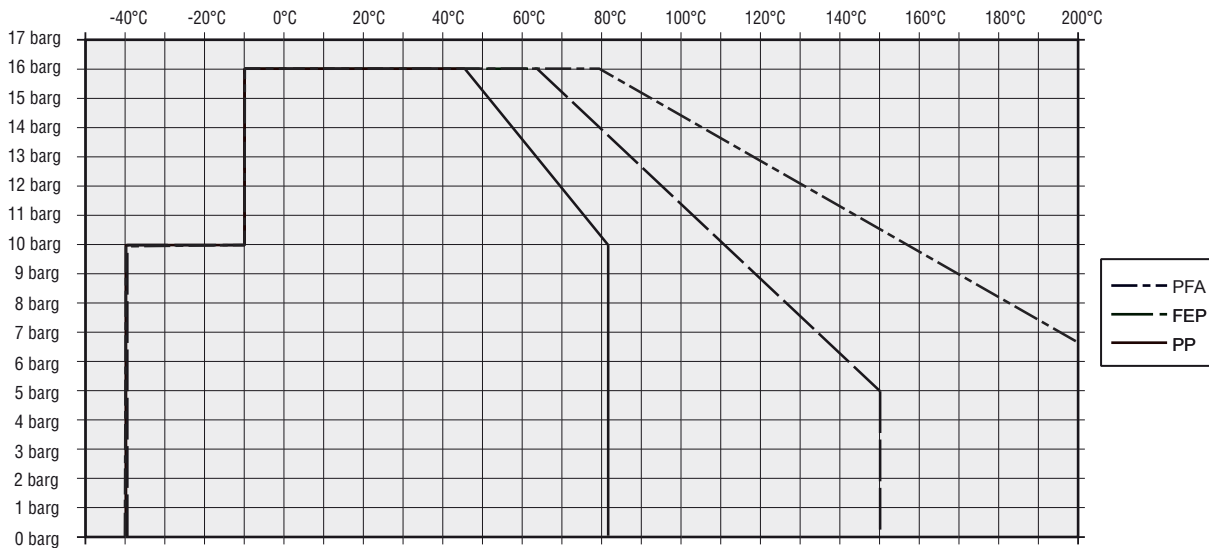


Figure 4: Pressure Temperature Diagram

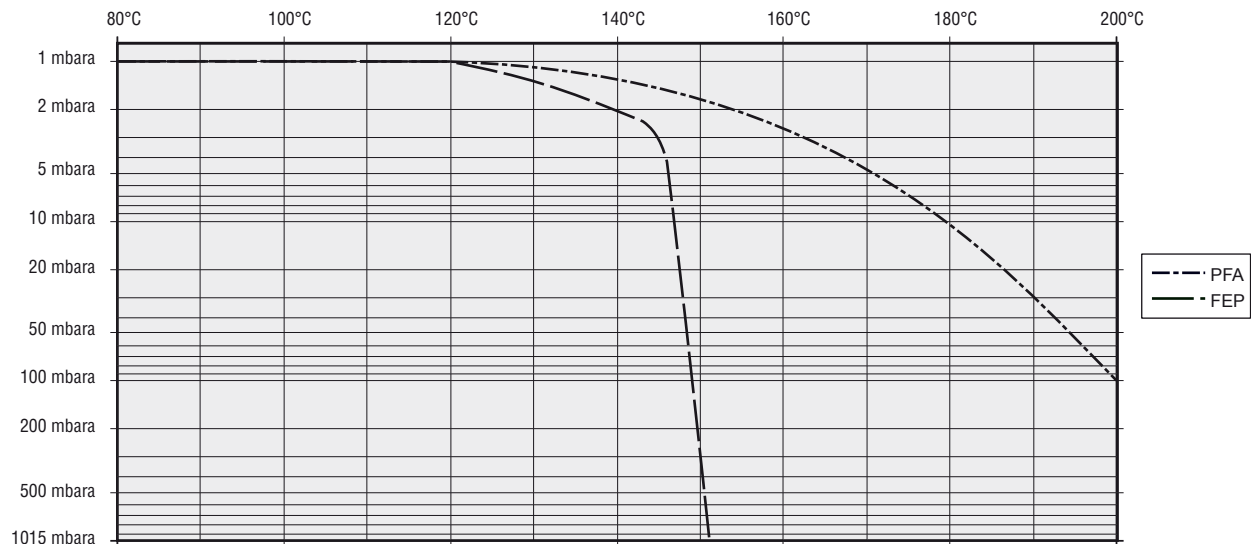


Figure 5: Vacuum Temperature Diagram

## K<sub>VS</sub> / C<sub>V</sub> Table

K <sub>VS</sub>	C <sub>V</sub>	Seat ø		Valve Size							Trim Material				
				DN15/20	DN25	DN 40	DN 50	DN 80	DN 100	DN 150	Plug	Hastelloy	Hastelloy	TFM1600	
				½" / ¾"	1"	1½"	2"	3"	4"	6"	Seat	Hastelloy	TFM1600	TFM1600	
		mm	in.	Stroke (mm / in.)											
0.011	0.013	3	0.12	10/0.39	10/0.39								x		
0.017	0.020	3	0.12	10/0.39	10/0.39								x		
0.025	0.029	3	0.12	10/0.39	10/0.39								x		
0.040	0.047	3	0.12	10/0.39	10/0.39								x		
0.063	0.074	3	0.12	10/0.39	10/0.39								x		
0.10	0.12	4.5	0.18	10/0.39	20/0.79									x	
0.16	0.19	4.5	0.18	10/0.39	20/0.79									x	
0.25	0.29	4.5	0.18	10/0.39	20/0.79									x	
0.40	0.47	4.5	0.18	10/0.39	20/0.79									x	
0.63	0.74	4.5	0.18	10/0.39	20/0.79									x	
1.0	1.2	7	0.28	10/0.39	20/0.79										x
1.6	1.9	7	0.28	10/0.39	20/0.79										x
2.5	2.9	10	0.38	10/0.39	20/0.79										x
4.0	4.7	12	0.47		20/0.79	20/0.79									x
5.0	5.8	15	0.59	10/0.39											x
6.3	7.4	16	0.63		20/0.79	20/0.79	20/0.79								x
10	12	20	0.79			20/0.79	20/0.79								x
13	15	25	0.98		20/0.79										x
16	19	25	0.98			20/0.79	20/0.79	40/1.57							x
25	29	32	1.26				20/0.79	40/1.57							x
32	37	40	1.57			20/0.79									x
40	47	40	1.57					40/1.57	40/1.57						x
47	55	50	1.97				20/0.79								x
63	74	50	1.97					40/1.57	40/1.57						x
100	120	63	2.48						40/1.57	40/1.57					x
120	139	80	3.15					40/1.57							x
160	190	80	3.15							40/1.57					x
180	210	100	3.94						40/1.57						x
250	290	100	3.94							40/1.57					x
340	400	125	4.92							40/1.57					x

# Specifications

**Table 3: Body and Lining materials**

<b>Body/Bonnet material</b>	0.7043 (Ductile Iron)
<b>Sizes</b>	DN 15 to 150 ½-inch to 6-inch
<b>Working Pressure Rating</b>	PN 16 ANSI Class 150
<b>End Connections</b>	ANSI Class 150 RF Flanges DIN PN 16 Flanges
<b>Lining material</b>	PFA (standard), FEP, PVDF PP, ETFE antistatic PFA
<b>Liner thickness</b>	3,5 mm (minimum) for ½-inch & ¾-inch valve sizes 5 mm (minimum) for 1-inch to 6-inch valve sizes

**Table 4: Trim**

<b>C<sub>v</sub>-values</b>	See table 2
<b>Rangeability</b>	50 : 1
<b>Valve Plug and Seat Ring Material</b>	Modified PTFE for small K <sub>vs</sub> -/C <sub>v</sub> values: Hastelloy C276 Kegel and/or seat inserts
<b>Leakage class</b>	ANSI Class VI
<b>Characteristics</b>	Equal percentage Linear On - Off

**Table 5: Bellows seal**

<b>Material</b>	TF 1620 for ½-inch to 1-inch valve sizes TFM 1600 for 1½-inch to 6-inch valve sizes
<b>Working Pressure</b>	232 psig at 250 °F (120 °C)

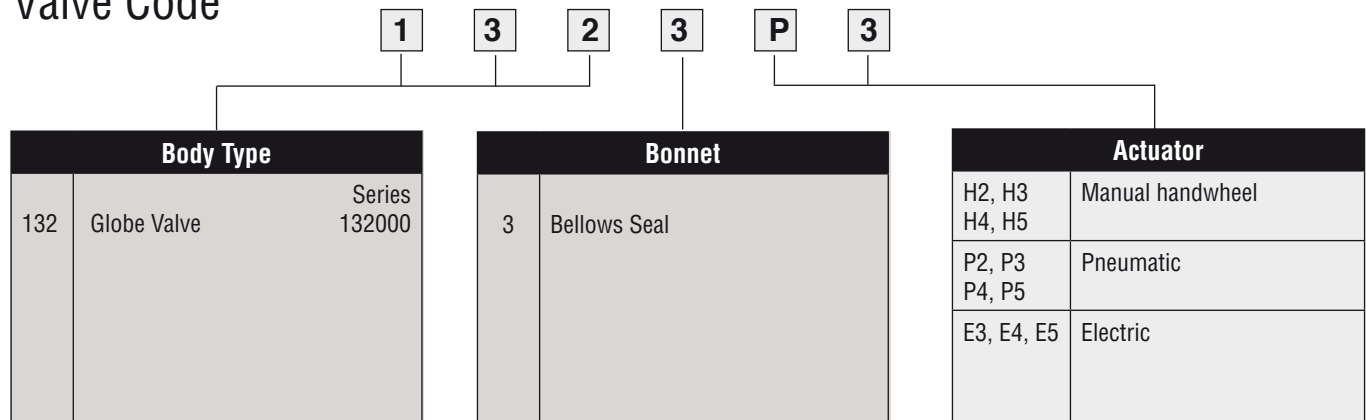
**Table 6: Options**

<b>Bellows seal</b>	Hastelloy C276
<b>Stem</b>	Hastelloy C276

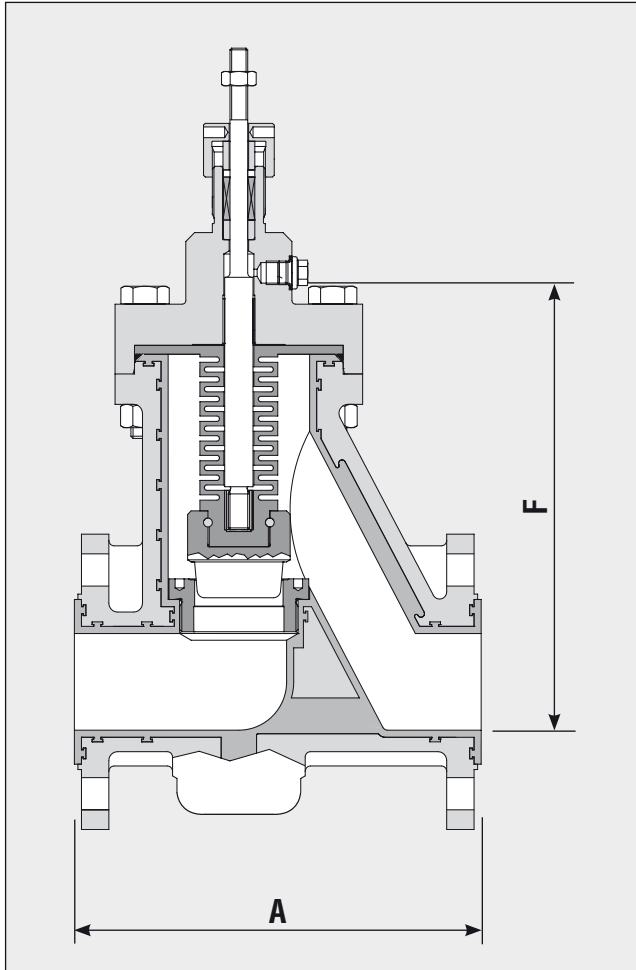
**Table 7: Bellows Seal Options**

Size		Effective Area		Stroke	
ANSI	DIN	Inches <sup>2</sup>	cm <sup>2</sup>	Inches	mm
½	DN 15	0.99	6.4	0.39	10
¾	DN 20	0.99	6.4	0.39	10
1	DN 25	1.33	8.6	0.79	20
1½	DN 40	1.33	8.6	0.79	20
2	DN 50	1.33	8.6	0.79	20
3	DN 80	2.05	13.2	1.57	40
4	DN 100	2.05	13.2	1.57	40
6	DN 150	2.05	13.2	1.57	40

## Valve Code



## Weights lbs. (kg) and Dimensions in. (mm)


**Table 8: Weights**

Size		ANSI		DIN	
Inches	DN	lb	kg	lb	kg
½	DN 15	13	6	13	6
¾	DN 20	13	6	13	6
1	DN 25	26	11	26	12
1½	DN 40	42	17	42	19
2	DN50	46	19	46	21
3	DN 80	82	39	82	37
4	DN 100	97	44	97	44
6	DN 150	330	150	330	150

**Table 9: Dimensions**

Valve Size	Dimensions							
	A DIN PN 16		A Class 150 DIN		A Class 150 ANSI		F	
	mm / in.	mm	in.	mm	in.	mm	in.	mm
DN 15 / ½"	130	5.12	130	5.12	130	5.12	185	7.28
DN 20 / ¾"	130	5.12	130	5.12	130	5.12	185	7.28
DN 25 / 1"	160	6.30	160	6.30	184	7.25	240	9.45
DN 40 / 1½"	200	7.87	200	7.87	222	8.75	245	9.65
DN50 / 2"	230	9.06	230	9.06	254	10.00	250	9.84
DN 80 / 3"	310	12.20	310	12.20	298	11.75	400	15.75
DN 100 / 4"	350	13.78	350	13.78	350	13.78	450	17.72
DN 150 / 6"	480	18.90	480	18.90	480	18.90	470	18.50



**Germany**

**Flowserve Essen GmbH**

Schederhofstr, 71  
45145 Essen  
Deutschland  
Tel.: +49 (0)201 8919 5  
Fax: +49 (0)201 8919 662

**USA**

**Flowserve Corporation**

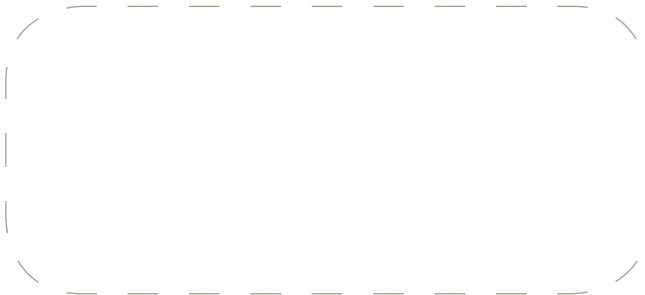
1300 Parkway View Drive  
Pittsburgh, PA 15205  
USA  
Tel.: +1 412 787 8803  
Fax: +1 412 787 1944

**Singapore**

**Flowserve Pte Ltd**

12 Tuas Avenue 20  
Singapore, 638824  
Singapore  
Tel.: +65 6879 8989  
Fax: +65 6862 4940

Your contact:



KMENTB3221-02 - 06/14

Flowserve Corporation has established industry leadership in the design and manufacture of its products. When properly selected, this Flowserve product is designed to perform its intended function safely during its useful life. However, the purchaser or user of Flowserve products should be aware that Flowserve products might be used in numerous applications under a wide variety of industrial service conditions. Although Flowserve can (and often does) provide general guidelines, it cannot provide specific data and warnings for all possible applications. The purchaser/user must therefore assume the ultimate responsibility for the proper sizing and selection, installation, operation, and maintenance of Flowserve products. The purchaser/user should read and understand the Installation Operation Maintenance (IOM) instructions included with the product, and train its employees and contractors in the safe use of Flowserve products in connection with the specific application,

While the information and specifications contained in this literature are believed to be accurate, they are supplied for informative purposes only and should not be considered certified or as a guarantee of satisfactory results by reliance thereon. Nothing contained herein is to be construed as a warranty or guarantee, express or implied, regarding any matter with respect to this product. Because Flowserve is continually improving and upgrading its product design, the specifications, dimensions and information contained herein are subject to change without notice. Should any question arise concerning these provisions, the purchaser/user should contact Flowserve Corporation at any one of its worldwide operations or offices,

© 12/2011 Flowserve Corporation, Irving, Texas, USA, Flowserve is a registered trademark of Flowserve Corporation,