



Durco[®] G4 TMHT 600°F Plug Valve

Superior high-temperature performance

Introducing the Durco G4 TMHT 600°F plug valve from Flowserve. Available in sizes NPS 0.5 to 20, the Durco G4 TMHT plug valve features a sleeve and diaphragm made of TMHT (carbon-filled, chemically modified PTFE) to deliver superior performance and reliability in applications up to 316°C (600°F).

- Extensive high-cycle lab testing at the rating limit as well as service in-field has proven this new product's potential and reliability.
- All Durco G4 TMHT 600°F plug valves are fire-sealed with graphite packing and certified to API 607 4th edition for external leakage.

Available range

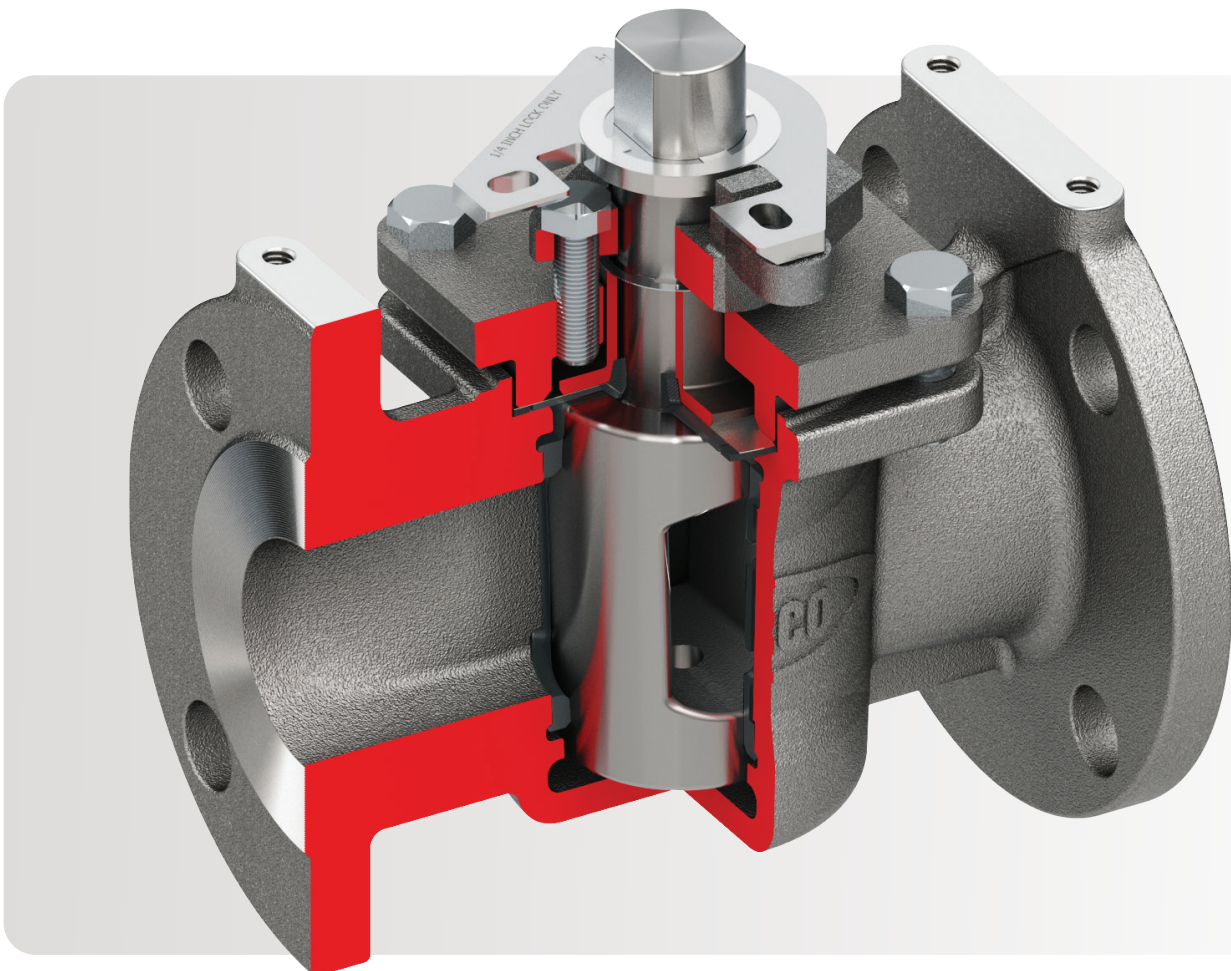
- Sizes: NPS 0.5 to 20
- Pressure classes: ASME B16.34 Classes 150 and 300

How to order

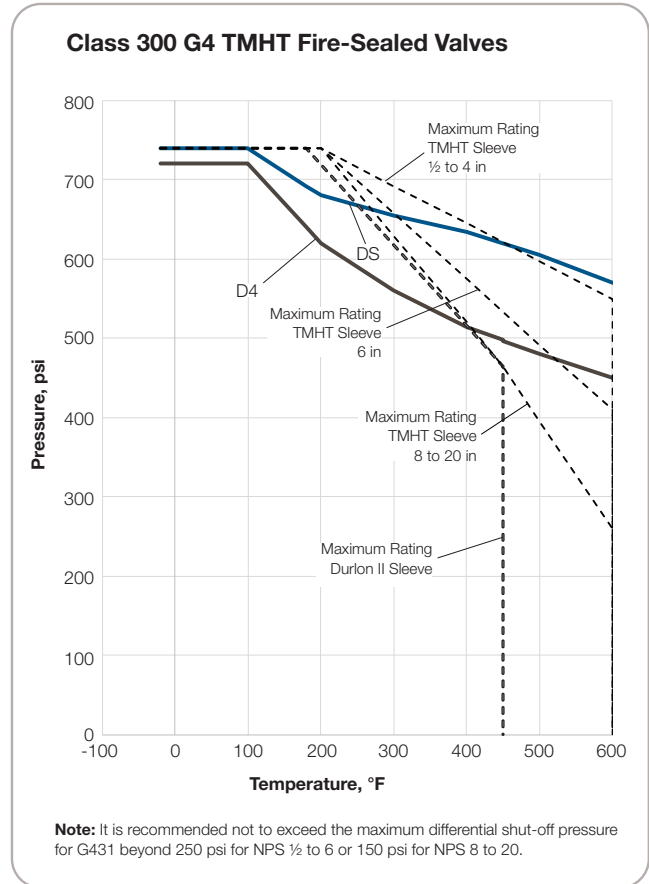
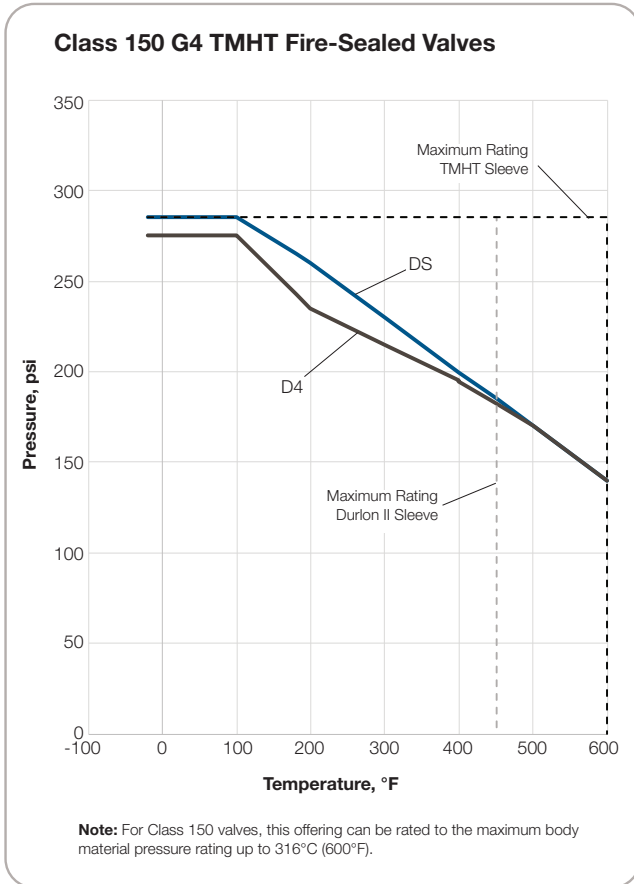
Specify the Durco G4 TMHT 600°F plug valve by using code "H" for the high-temperature TMHT sleeve and code "Z" for the fire-sealed option with the TMHT diaphragm, graphite stem and top-cap seals.

Example: 2-G4-31C810H0M1GAZ

Note: The 600°F offering is limited to the fire-sealed G4 configuration.



Pressure/temperature ratings



Installation, Operation and Maintenance instructions for this offering are the same as standard fire-sealed G4 valves.

Flowserve Corporation
5215 North O'Connor Blvd.
Suite 700
Irving, Texas 75039-5421 USA
Telephone: +1 937 890 5839

Flowserve Corporation has established industry leadership in the design and manufacture of its products. When properly selected, this Flowserve product is designed to perform its intended function safely during its useful life. However, the purchaser or user of Flowserve products should be aware that Flowserve products might be used in numerous applications under a wide variety of industrial service conditions. Although Flowserve can provide general guidelines, it cannot provide specific data and warnings for all possible applications. The purchaser/user must therefore assume the ultimate responsibility for the proper sizing and selection, installation, operation, and maintenance of Flowserve products. The purchaser/user should read and understand the Installation Instructions included with the product, and train its employees and contractors in the safe use of Flowserve products in connection with the specific application.

While the information and specifications contained in this literature are believed to be accurate, they are supplied for informative purposes only and should not be considered certified or as a guarantee of satisfactory results by reliance thereon. Nothing contained herein is to be construed as a warranty or guarantee, express or implied, regarding any matter with respect to this product. Because Flowserve is continually improving and upgrading its product design, the specifications, dimensions and information contained herein are subject to change without notice. Should any question arise concerning these provisions, the purchaser/user should contact Flowserve Corporation at any one of its worldwide operations or offices.

©2021 Flowserve Corporation. All rights reserved. This document contains registered and unregistered trademarks of Flowserve Corporation. Other company, product, or service names may be trademarks or service marks of their respective companies.

VAFLY000316-00 (EN/A4) September 2021