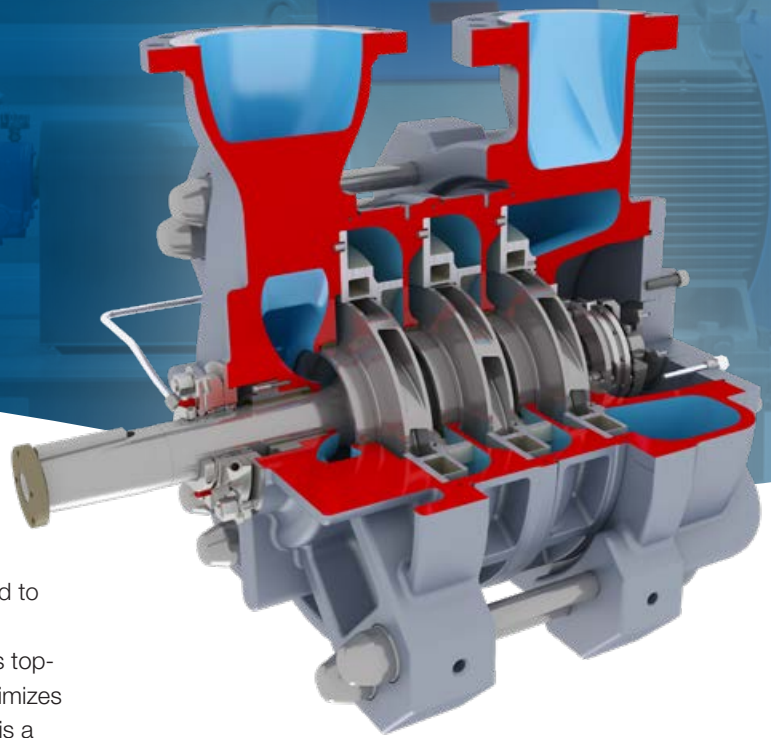




# CSX

## High-efficiency membrane feed pump for reverse osmosis processes

*Long-term reliability with minimized operating expenses*



The Flowserve CSX pump represents the next generation of multistage, segmental ring, diffuser-style membrane feed pumps.

Developed with finite element analysis and engineered to meet operator preferences, the CSX pump is simple and reliable. Advanced CFD hydraulic design ensures top-of-class efficiency. Optimized component design minimizes wetted fasteners to prolong operating life. The result is a highly reliable, cost-effective feed pump for the heart of any reverse osmosis (RO) system.

### Features and benefits

**Precision cast impellers** deliver high-efficiency performance and dimensional repeatability. The impellers are ring-less and individually dynamically balanced to achieve an assembled rotor balance grade of G2.5.

**Easily replaceable wear rings** are made with engineered thermoplastic and permit easy refurbishment of clearances to maintain high-efficiency operation and low lifecycle costs.

**Precision cast diffuser and channel rings** provide a continuous fluid passageway around the impellers without loss of efficiency. This design helps to balance radial loads so pump life is extended.

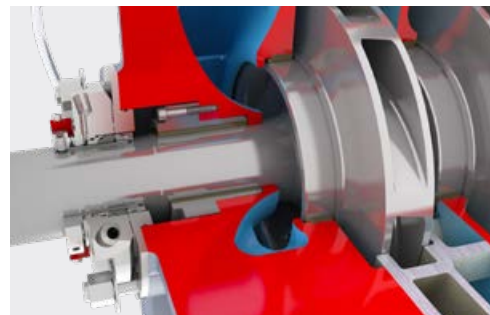
**Axial thrust balance** is achieved by applying a hydrodynamic axial bearing design which significantly reduces leakage/flushing rate and supports optimized pump efficiency.

**Independently configurable nozzle heads** are able to be rotated in 90-degree steps to suit a variety of piping layouts.

**Stiff rotor design** minimizes deflection, thereby increasing bearing and mechanical seal life.

**Standardized mechanical seal chamber** provides an optimal environment to prolong seal life without costly and complex auxiliary flush systems.

**Maintenance** is typically done on-site. The pump's side/side flange configuration reduces work on its surrounding piping, and bearings plus mechanical seals are easily accessible.



*Single mechanical seal and precision cast diffuser and channel rings*

## Typical applications

- Seawater and brackish water reverse osmosis desalination
- High-pressure membrane feed
- High-pressure filtered water applications
- Any other high-pressure applications with filtered liquids and ambient temperature

## Operating parameters

- Sizes from 100 to 250 mm (4 to 10 in)
- Flows to 1,500 m<sup>3</sup>/h (6,600 gpm)
- Heads to 720 m (2,370 ft)
- Pressures to 90 bar (1,305 psi)
- Temperatures to 45°C (113°F)
- Frequency 50 or 60 Hz; compatible with VFD applications

## Corrosion-resistant construction

Pitting, crevice corrosion and stress corrosion cracking are major challenges in processing seawater and brackish water. To maximize service life, wetted components of the CSX pump are available in a broad range of materials able to resist these aggressive forms of corrosion. These include super duplex stainless steels and proprietary Alloy 885 with PREN >40.

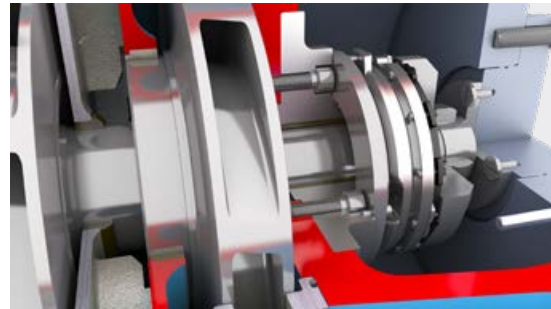
## Bearing configuration

Two bearing designs are available to meet customer and application requirements:

- Fully product lubricated – Hydrodynamic axial thrust and radial sleeve bearing. This makes the pump also more compact and removes oil or grease as a lubricant. Eliminates high-pressure mechanical seals and reduces pump footprint.
- Oil lubricated – Split sleeve radial and ball thrust bearings

The CSX pump is available with several bearing options to ensure long-lasting and reliable performance:

- Bearing cooling – air or water cooling system
- Bearing lubrication – ring oil and force feed system
- Bearing monitoring instrumentation



*Hydrodynamic axial thrust and radial sleeve bearing*

### Headquarters

Flowserve Corporation  
5215 North O'Connor Blvd.  
Suite 2300  
Irving, Texas 75039-5421 USA  
Telephone: +1 937 890 5839

Flowserve Corporation has established industry leadership in the design and manufacture of its products. When properly selected, this Flowserve product is designed to perform its intended function safely during its useful life. However, the purchaser or user of Flowserve products should be aware that Flowserve products might be used in numerous applications under a wide variety of industrial service conditions. Although Flowserve can provide general guidelines, it cannot provide specific data and warnings for all possible applications. The purchaser/user must therefore assume the ultimate responsibility for the proper sizing and selection, installation, operation, and maintenance of Flowserve products. The purchaser/user should read and understand the Installation Instructions included with the product, and train its employees and contractors in the safe use of Flowserve products in connection with the specific application.

While the information and specifications contained in this literature are believed to be accurate, they are supplied for informative purposes only and should not be considered certified or as a guarantee of satisfactory results by reliance thereon. Nothing contained herein is to be construed as a warranty or guarantee, express or implied, regarding any matter with respect to this product. Because Flowserve is continually improving and upgrading its product design, the specifications, dimensions and information contained herein are subject to change without notice. Should any question arise concerning these provisions, the purchaser/user should contact Flowserve Corporation at any one of its worldwide operations or offices.

©2020 Flowserve Corporation. All rights reserved. This document contains registered and unregistered trademarks of Flowserve Corporation. Other company, product, or service names may be trademarks or service marks of their respective companies.