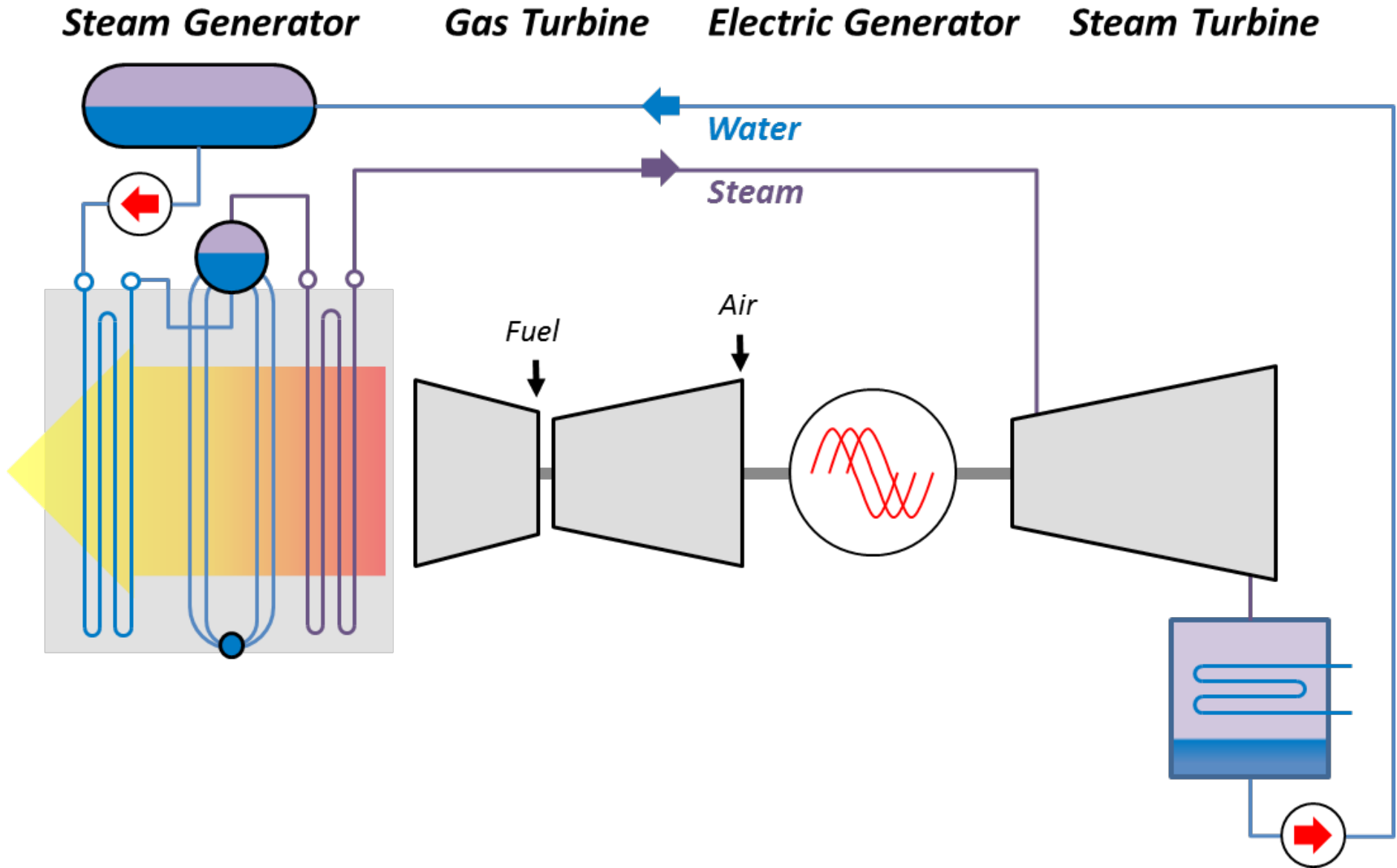


Process Flow Diagrams

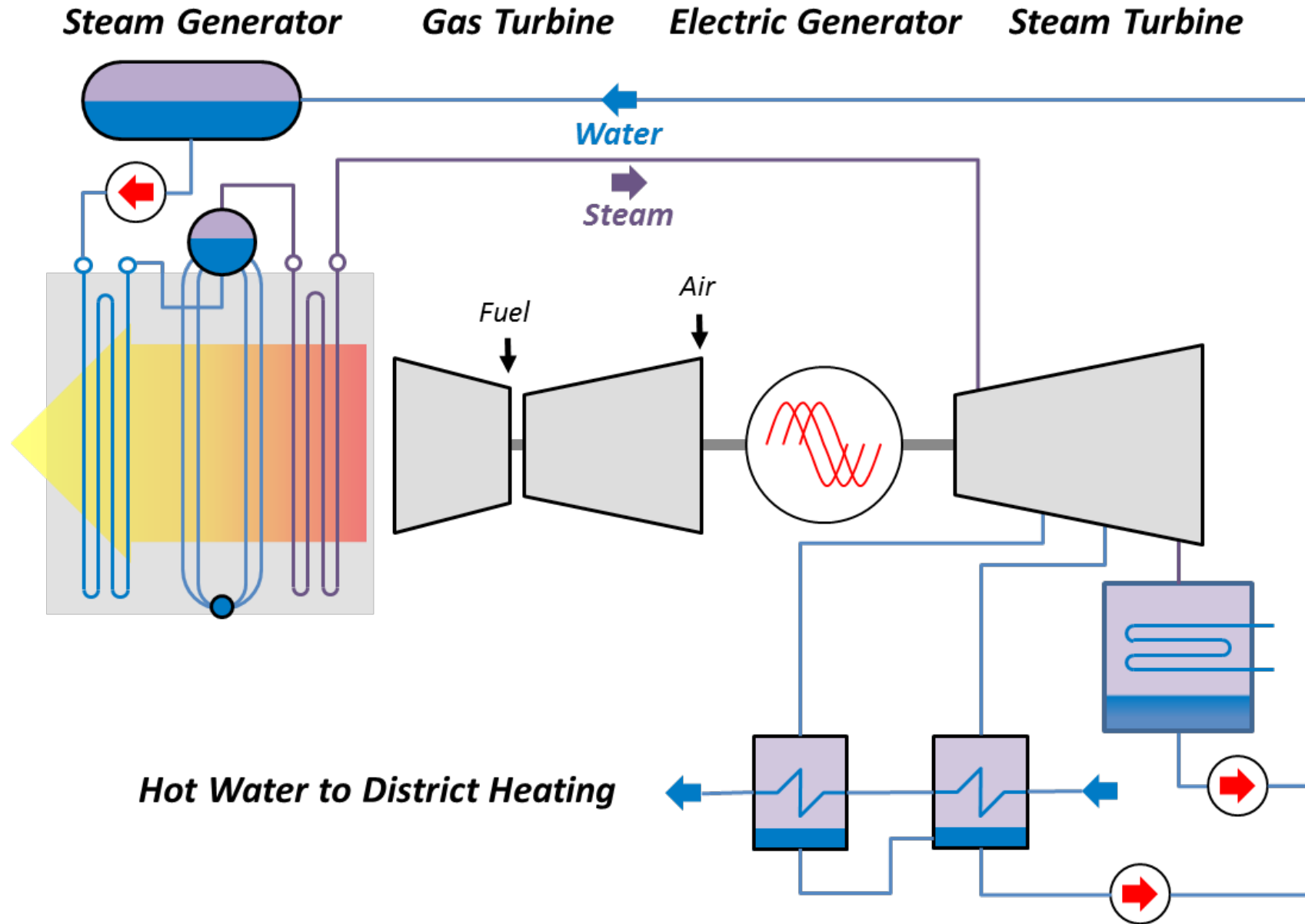
THE GLOBAL COMBINED CYCLE LANDSCAPE

Experience In Motion

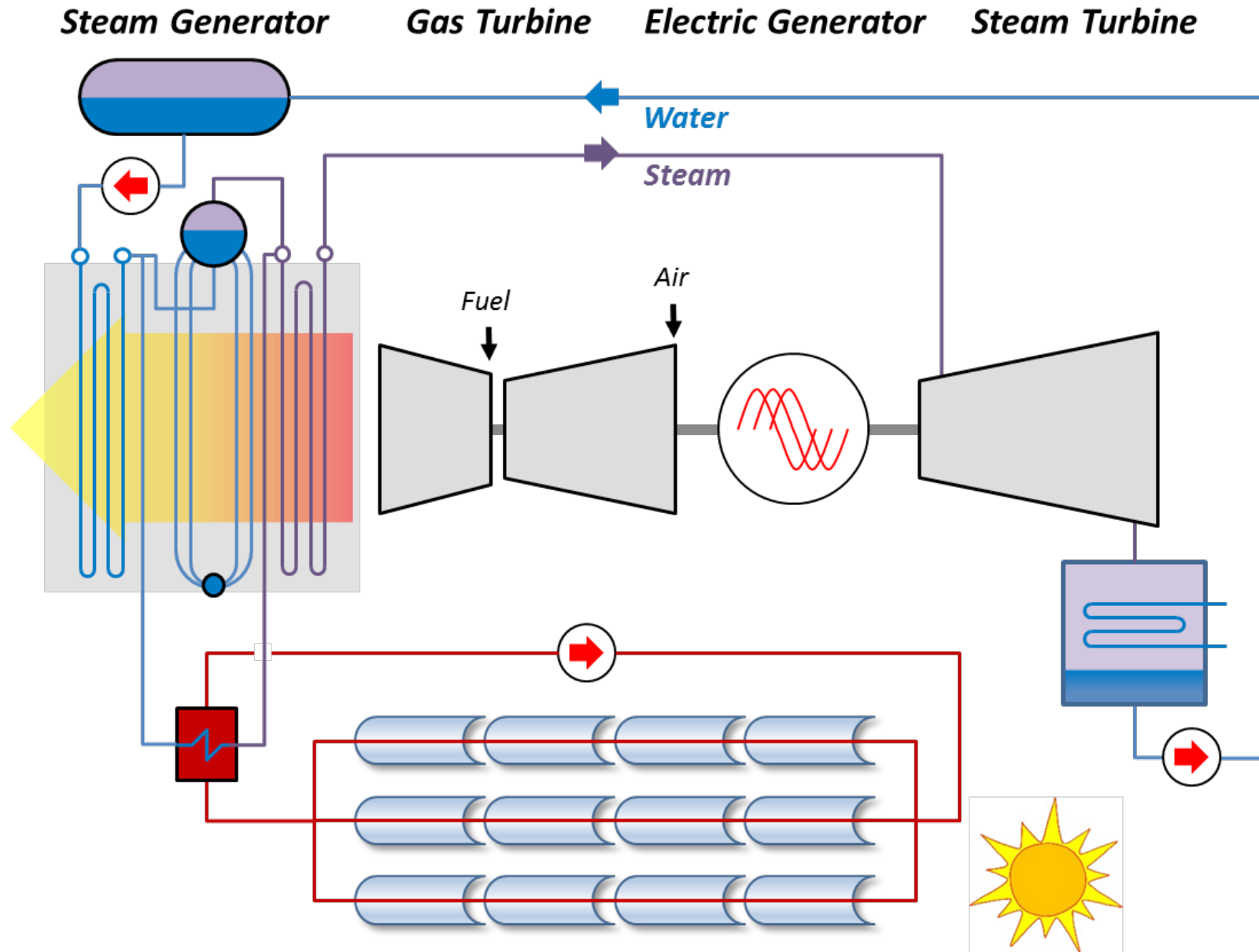
Simplified Combined Cycle Power Plant (CCPP)



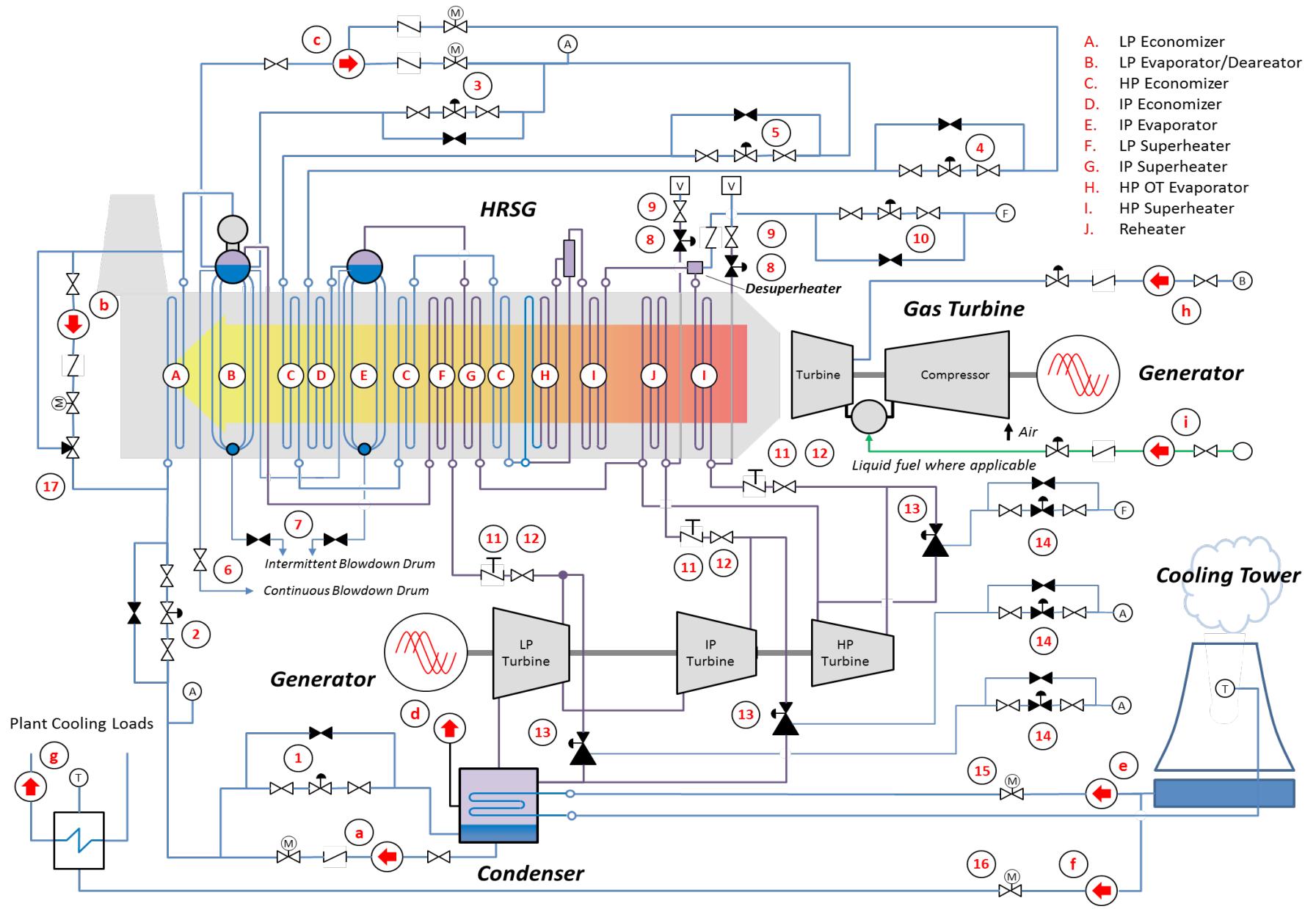
Simplified combined cycle gas turbine (CCGT) combined heat and power plant



Simplified integrated solar combined cycle (ISCC) plant



Simplified heat recovery steam generator (HRSG) process



Letters are critical pumps; numbers are critical valves. Please refer to the Application Solutions Guide.



North America

Latin America

Europe

Middle East

Africa

Asia-Pacific

Flowserve Corporation
5215 North O'Connor Boulevard
Suite 2300
Irving, Texas 75039
flowserve.com

Experience In Motion

FLS-1010-Diagrams (E/AQ) ASG-CCGT, December 2019 © 2019 Flowserve Corporation. All rights reserved. Kämmer, Logix, NAF, Valbart, Valtek, Flowserve, and the Flowserve design are registered marks of Flowserve Corporation. All other marks are the property of their respective owners.