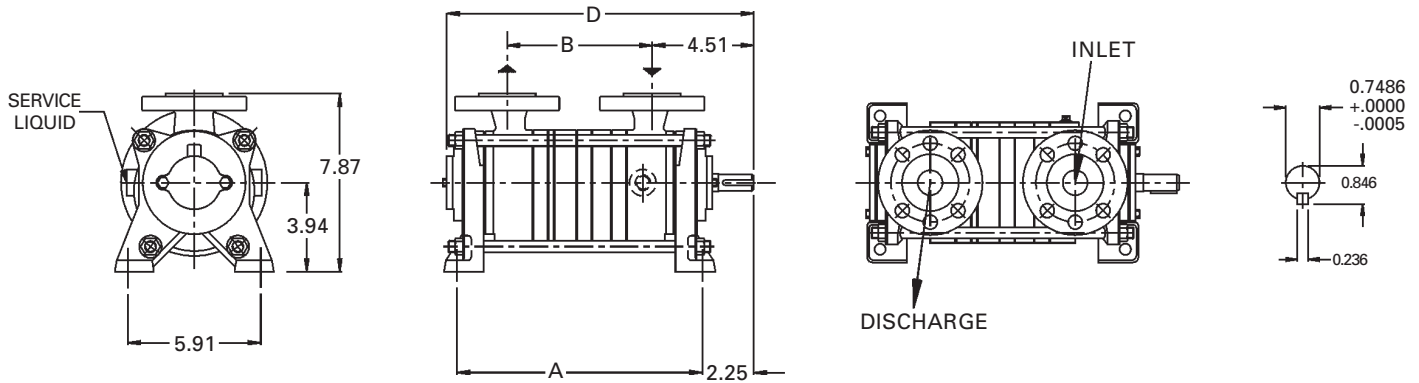


Dimensions (inches)

Pump Model	A	B	C	D
25003	10.88	6.44		13.72
25007	12.84	8.40		15.68

For connection sizes/ratings and motor sizes refer to engineering data table on reverse.

For baseplate mounting, please obtain factory certified dimensions.



Capacity Table

Pump Model - KPH 25003															
Speed (RPM)	3 PSIG		5 PSIG		10 PSIG		15 PSIG		20 PSIG		25 PSIG		30 PSIG		
	scfm	HP	scfm	HP	scfm	HP	scfm	HP	scfm	HP	scfm	HP	scfm	HP	
3500	13.0	1.6	12.9	1.7	12.8	1.9	12.4	2.2	11.4	2.4	9.9	2.8	6.0	3.4	
2900	10.0	1.0	9.9	1.1	9.4	1.3	7.9	1.5							

Pump Model - KPH 25007															
Speed (RPM)	3 PSIG		5 PSIG		10 PSIG		15 PSIG		20 PSIG		25 PSIG		30 PSIG		
	scfm	HP	scfm	HP	scfm	HP	scfm	HP	scfm	HP	scfm	HP	scfm	HP	
3500	28.0	2.8	28.0	3.0	27.6	3.4	26.8	4.0	25.0	4.6	21.4	5.4	16.8	6.3	
2900	21.0	1.5	21.0	1.7	20.3	2.2	17.7	2.8							

This data represents average values for pumps in standard materials. Capacity in cubic feet per minute of free air at 68°F (20°C) using 60°F (16°C) water as a service liquid. Discharge pressure measured at the pump discharge flange.

ENGINEERING DATA

SERVICE LIQUID RATES (USGPM)

PUMP MODEL	25003	25007
Gas Conn. Size/Rating (U)	1¼"/150RF	1¼"/150RF
Service Liq. Line Size/Rating (U _a)	¾"/NPT	¾"/NPT
Cont. Drain Size/Rating (U _{se})	N/A	N/A
Motor (@ 3500 rpm) HP	5.0	7.5
Bare Pump Wt. (lb)	55	60
4 Direct Dr. Basemount (lb)	236	310
5 Min. V-Belt Sheave Dia.	3.54"	3.54"
T-Separator/Trap Model	Upon Request	Upon Request
Separator Size - Recirc. (Gal.)	10	10
1/2 Norm. Max. Gas Temp. (°F)	248	248
2 Max. Service Liq. Temp. (°F)	212	212
3 Sound Level (dBA)	71	71
Moment of Inertia Wr ² (lb. ft ²)	0.095	0.154
Casing Max. WP / Hydro (psi)	30/45	30/45

PUMP MODEL - KPH 25003															
Pump Speed	6PSIG			12PSIG			18PSIG			24PSIG			30PSIG		
	A	B	C	A	B	C	A	B	C	A	B	C	A	B	C
3500	0.85	0.45	0.30	1.30	0.60	0.35	1.80	0.70	0.45	2.25	0.90	0.55	2.75	1.10	0.65
2900		0.35	0.20		0.45	0.30		0.60	0.40						

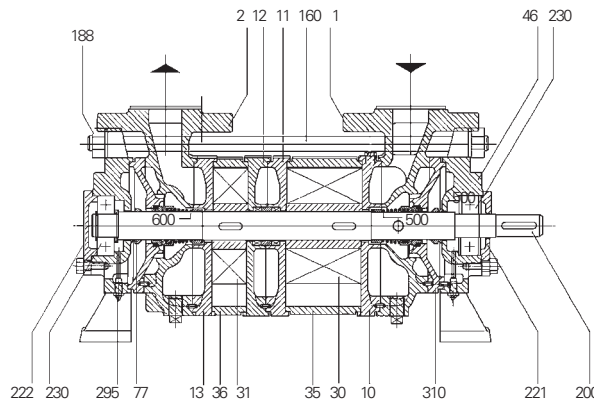
PUMP MODEL - KPH 25007															
Pump Speed	6PSIG			12PSIG			18PSIG			24PSIG			30PSIG		
	A	B	C	A	B	C	A	B	C	A	B	C	A	B	C
3500	0.85	0.55	0.40	1.30	0.80	0.55	1.80	1.00	0.70	2.25	1.25	0.85	2.75	1.50	1.00
2900		0.45	0.30		0.65	0.40		0.90	0.60						

Column 'A' is the flow in USGPM required - once through.
 Column 'B' is the make-up flow required when make-up water is 5°C (9°F) cooler than service water.
 Column 'C' is the make-up flow when make-up water is 10°C (18°F) cooler than service water.
 For continuous operation, the service liquid supply pressure should be at least the suction pressure, plus 80% of the differential pressure from suction to discharge.

Note: The service liquid supply pressure may vary with pump speed and discharge pressure. Please consult factory engineering department for additional information.

1. Max. gas temperature with saturated gases.
2. Higher temperatures possible on request.
3. At 3 ft., 3500 RPM w/o motor (not certified).
4. Basemount includes pump, motor, coupling, guard and base.
5. Special pump bearings needed for V-Belt applications.

SECTIONAL



Standard rotation 'AB' (clockwise) viewed from driven end. 'AL' (counter clockwise) upon request.

PARTS LIST

- | | | | | |
|--------------------|------------------|------------------------|-----------------------|----------------------|
| 1. Suction Cover | 13. Intermediate | 46. Bearing Flange | 221. Bearing Cover | 310. Seal Housing |
| 2. Discharge Cover | 30. Impeller | 77. Splash Ring | 222. Bearing Retainer | 500. Mechanical Seal |
| 10. Intermediate | 31. Impeller | 160. Tie Bolt Assembly | 230. Bearing | 600. Mechanical Seal |
| 11. Intermediate | 35. Centerbody | 188. Nut | 231. Bearing | |
| 12. Intermediate | 36. Centerbody | 200. Shaft | 295. Grease Fitting | |

MATERIALS

ITEM	0E	4B
Casing-Wetted	Cast Iron	316 SS
Intermediates	Cast Iron	316 SS
Impeller(s)	316 SS	316 SS
Centerbody	Cast Iron	316 SS
Shaft	420 SS QT	316 SS
Shaft Sleeves	N/A	N/A
Shaft Sealing	AHF ⁶ Cast	AHF ⁶
Casing-Non Wetted	Iron	Cast Iron

⁶AHF = single seal with viton orings, carbon vs. SS faces