

# **Series 72 Electri-SAFE®**

*Electro-Hydraulic Actuator for  
Quarter-turn Valves and Dampers*

# A high-quality actuator with all the features you've hoped for in a Fail-Safe Electric Actuator.

Worcester's new patented Series 72 **Electri-SAFE** actuator is a powerful, compact and economical means of electrically actuating valves in your process while meeting your safety requirements. **Electri-SAFE** is an Electro-Hydraulic actuator that operates like a spring-return pneumatic actuator. You get the same speed and reliability you are used to with pneumatic actuators, but far more cost effectively.



➔ **Simple two-wire 120 VAC control**

➔ **Watertight, corrosion-resistant enclosure Type 4, 4x, 7, 9, 12**

➔ **ISO 5211 Mounting—mount on any ISO designed quarter-turn valve**



*Two SPDT 15 A switches for position indication*



*Return Stroke Solenoid*

## Other Features and Benefits

- Wide temperature range (0°F\* to 150°F).
- Fail-safe on power failure.
- Fast-moving valve closure—in as little as one second.
- Long operational life.
- Mount **Electri-SAFE** in any position. There is no hydraulic reservoir.
- No clutches, battery packs or clock springs.
- Torque up to 900 in-lb.

\* Heat Tracing required below 0°F and recommended below 32°F

**Approvals\*:**

CSA approved for Type 1 General Purpose Indoor Locations.  
 Factory Mutual approved for Liquid and Gas Safety Shut-off Service.  
 \*Contact Flowserve for valves and actuators that require FM approval.  
 \*Contact Flowserve for Class I, Div 1 and 2 requirements.



*Oil production water dump application*



- ➔ **Powerful, fast spring-return fail-safe action, open or closed**
- ➔ **Two SPDT 15 A switches for position indication**
- ➔ **Maintenance-free hydraulic system with no reservoir—mount in any position**

**Technical Specifications**

**Sizes:** 1572 and 2072

<b>Torque Output:</b>	- Stroke -	
	Open/Hydraulic Start/End	Close/Spring Start/End
Actuator		
1572	800/540 in-lb	800/540 in-lb
2072	1300/900 in-lb	1300/900 in-lb

**90° Rotation Time at 70°F Ambient Temperature:**  
 1572 – 5 sec. open/1 sec. close  
 2072 – 8 sec. open/3 sec. close

**Enclosure:** Watertight, corrosion-resistant, Type 4, 4x, 7, 9, 12 – Cast aluminum, anodized. Class I Division 1 & 2, Group B, C and D; Class II Division 1 & 2, Group E, F and G; Class III Division 1 & 2

**Voltage:** 120 Volt AC  
 240 Volt AC  
 24 VDC

**Motor Amps:** 120 VAC: 2.5 amps running; 5 amps locked  
 240 VAC: 1.5 amps running; 3 amps locked  
 24 VDC: 10 amps

**Connection:** Two male output shafts

**Overload Protection:** Thermal overload protection with automatic reset

**Travel Stop Limit Switches:** Two single-pole/double-throw (SPDT) switches—independent, internally mounted and adjustable

**Temperature Limits:** 0°F\* to 150°F\*\*

**Lubrication:** Actuator is filled with synthetic hydraulic oil and needs no extra lubrication

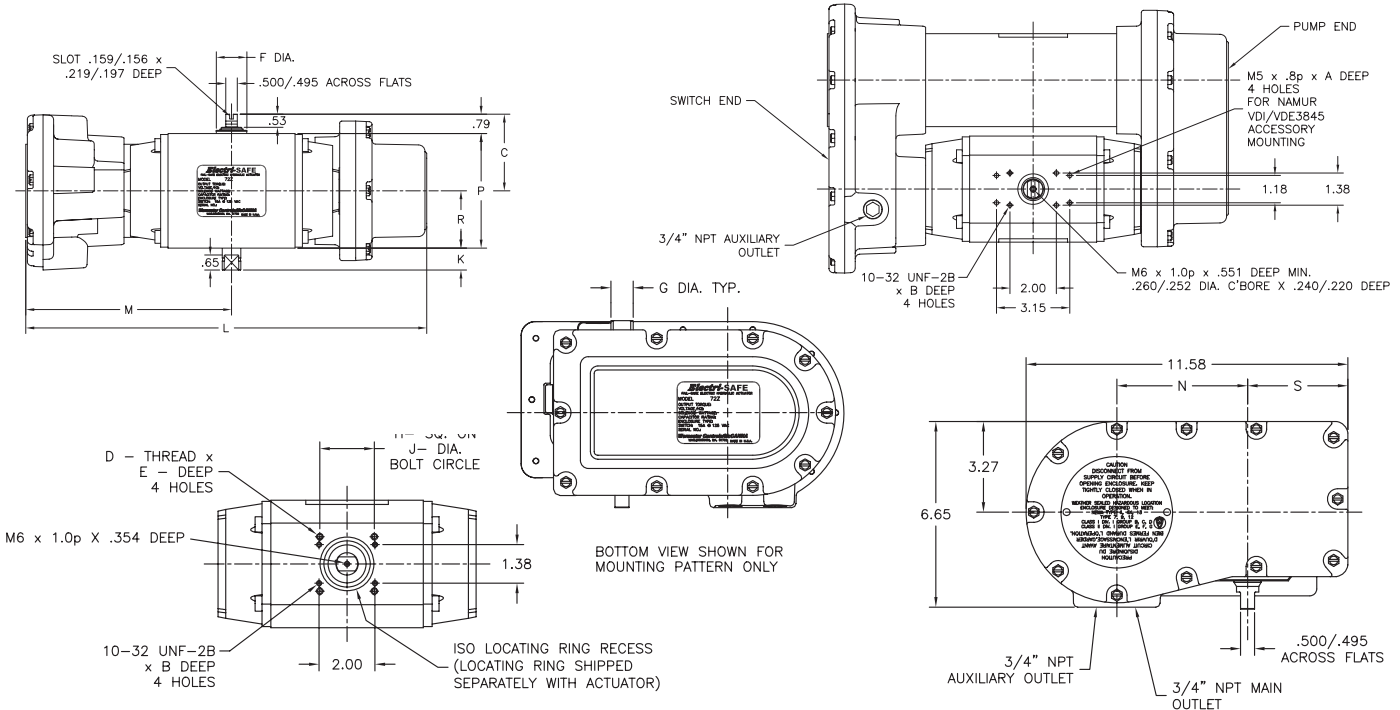
**Conduit Connections:** Three - 3/4" NPT connections are provided

**Weight:** 1572 – 45 lb.  
 2072 – 55 lb.

\* Heat tracing required below 0°F and recommended below 32°F.  
 \*\* Consult your Worcester Controls representative for cycle times at specific temperatures.

## Dimensions inches (mm)

ACT. SIZE	A	B	C	D	E	F	G	H	J	K	L	M	N	P	R	S	ISO 5211
1572	.28 (7.1)	.31 (7.9)	2.84 (72.1)	M6	.28 (7.1)	1.02 (25.9)	.63 (16.0)	1.39 (35.3)	1.97 (50.0)	.87 (22.1)	15.69 (399)	8.02 (204)	4.86 (123)	4.09 (104)	2.05 (52.1)	3.44 (87.4)	F05
2072	.32 (8.1)	.32 (8.1)	3.25 (82.6)	M8	.35 (8.9)	1.31 (33.3)	.80 (20.3)	1.95 (49.5)	2.76 (70.1)	.85 (21.6)	17.27 (439)	8.81 (224)	4.69 (119)	4.92 (125)	2.46 (62.3)	3.61 (91.7)	F07



## How to Order

Actuator Size	Variations	Product Series	Enclosure	Voltage
15	Blank - Std., Fail Closed 9 - Fail Open	72	Z - Enclosure Type 4, 4x, 7, 9, 12 Combined Locations	120 A - 120 VAC 50/60 Hz 240 A - 240 VAC 50/60 Hz 24 VDC
20	B - Breather - Drain Plug DP - Positioner* SP - Step Control* * Contact Factory			

Due to continuous development of our product range, we reserve the right to alter the product information and specifications contained in this brochure as required.

Worcester® is a registered trademark of Worcester Control Valves. • Electri-SAFE® is a registered trademark of Worcester Control Valves.  
Flowserve® is a registered trademark of Flowserve Corporation.

Flowserve Corporation has established industry leadership in the design and manufacture of its products. When properly selected, this Flowserve product is designed to perform its intended function safely during its useful life. However, the purchaser or user of Flowserve products should be aware that Flowserve products might be used in numerous applications under a wide variety of industrial service conditions. Although Flowserve can (and often does) provide general guidelines, it cannot provide specific data and warnings for all possible applications. The purchaser/user must therefore assume the ultimate responsibility for the proper sizing and selection, installation, operation, and maintenance of Flowserve products. The purchaser/user should read and understand the Installation Operation Maintenance (IOM) instructions included with the product, and train its employees and contractors in the safe use of Flowserve products in connection with the specific application.

While the information and specifications contained in this literature are believed to be accurate, they are supplied for informative purposes only and should not be considered certified or as a guarantee of satisfactory results by reliance thereon. Nothing contained herein is to be construed as a warranty or guarantee, express or implied, regarding any matter with respect to this product. Because Flowserve is continually improving and upgrading its product design, the specifications, dimensions and information contained herein are subject to change without notice. Should any question arise concerning these provisions, the purchaser/user should contact Flowserve Corporation at any one of its worldwide operations or offices.

For more information about Flowserve Corporation, visit [www.flowserve.com](http://www.flowserve.com) or call USA 1 800 225 6989.

**FLOWSERVE CORPORATION**  
**FLOW CONTROL**  
 1978 Foreman Drive  
 Cookeville, Tennessee 38501 USA  
 Phone: 931 432 4021  
 Facsimile: 931 432 5518