

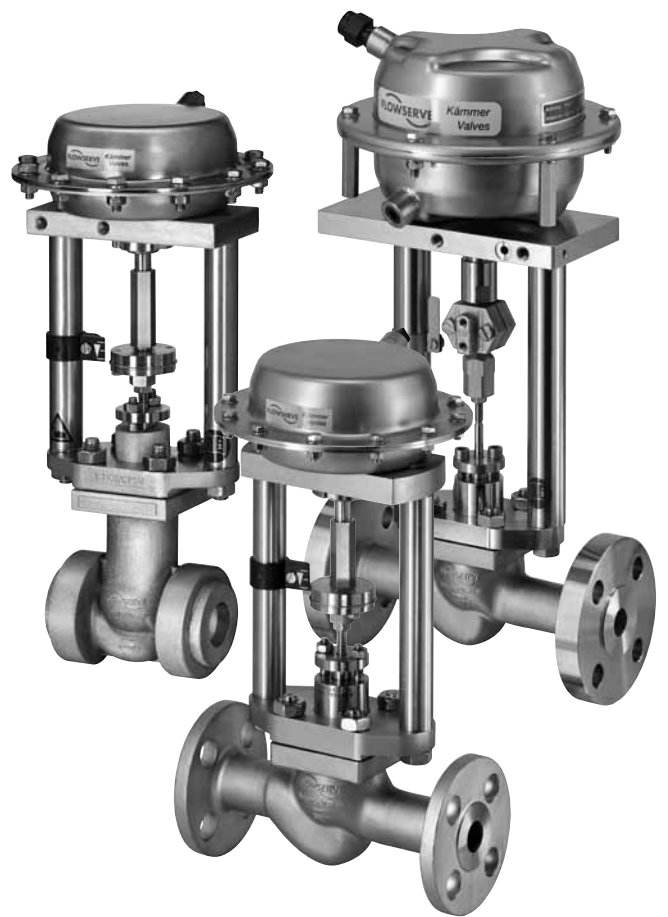


TECHNICAL BULLETIN

Kämmer® SmallFlow™ - 385000 / 385000 SP

Low and Micro Flow Valves

FCD KMENTB5000-03 02/15



Experience In Motion

C_v VALUES

				Plug	1.4571	Alloy 6	Alloy 6	Alloy 6	1.4571	Multihole	Hast C	IN/NI/MO	
				Seat	1.4571	1.4571	1.4122	Alloy 6	PTFE	Alloy 6	Hast C	IN/NI/MO	
Kvs / Cv values				seat dia.									
Kvs	Trim#	Cv	Trim#										
0,000054	2T	0,000063	.08T	2 / 0.08			x						
0,000068	2S	0,000079	.08S	2 / 0.08			x						
0,000084	2R	0,000098	.08R	2 / 0.08			x						
0,0001	2Q	0,00012	.08Q	2 / 0.08			x						
0,00013	2P	0,00015	.08P	2 / 0.08			x						
0,00016	2O	0,00019	.08O	2 / 0.08			x						
0,0002	2N	0,00023	.08N	2 / 0.08			x						
0,00025	2M	0,00029	.08M	2 / 0.08			x						
0,00031	2L	0,00036	.08L	2 / 0.08			x						
0,00039	2K	0,00045	.08K	2 / 0.08			x						
0,00048	2J	0,00056	.08J	2 / 0.08			x						
0,00064	2I	0,00075	.08I	2 / 0.08			x						
0,00084	2H	0,00098	.08H	2 / 0.08			x						
0,0011	2G	0,0013	.08G	2 / 0.08			x						
0,0015	2F	0,0017	.08F	2 / 0.08			x						
0,0019	2E	0,0022	.08E	2 / 0.08			x						
0,0025	2D	0,0029	.08D	2 / 0.08			x						
0,0033	2C	0,0038	.08C	2 / 0.08			x						
0,0046	2B	0,0054	.08B	2 / 0.08			x						
0,0068	2A	0,0079	.08A	2 / 0.08			x						
0,011	3H	0,013	.12H	3 / 0.12		x		x			x	x	
0,017	3G	0,02	.12G	3 / 0.12		x		x			x	x	
0,025	3F	0,029	.12F	3 / 0.12		x		x			x	x	
0,04	3E	0,047	.12E	3 / 0.12		x		x			x	x	
0,063	3D	0,074	.12D	3 / 0.12		x		x			x	x	
0,1	3C	0,12	.12C	3 / 0.12	x	x		x	x		x	x	
0,16	3B	0,19	.12B	3 / 0.12	x	x		x	x		x	x	
0,25	3A	0,29	.12A	3 / 0.12	x	x		x	x		x	x	
0,4	4,5B	0,47	.18B	4,5 / 0.18	x	x		x	x		x	x	
0,63	4,5A	0,74	.18A	4,5 / 0.18	x	x		x	x		x	x	
1	7B	1,2	.28B	7 / 0.28	x	x		x	x		x	x	
1,6	7A	1,9	.28A	7 / 0.28	x	x		x	x	x	x	x	
2,5	10	2,9	.40	10 / 0.40	x	x		x	x	x	x	x	
4	12	4,7	.48	12 / 0.48	x	x		x			x	x	
Stroke													
mm / in				10 / 0.394									
Plug Characteristic													
Equal percentage				x									
Linear				x									
On-Off				x									

BODY DATA

	25	15	25	15	20	25	15	20	25
	1"	½"	1"	½"	¾"	1"	½"	¾"	1"
	Cast SP	Cast		Forged			Barstock		
Body Style									
Globe	x	x			x			x	
Angle					x			x	
Pressure Classes									
PN 10 - 40	x	x			x			x	
PN 63 - 160	x	x			x			x	
PN 250					x			x	
PN 400					x			x	
CL 150	x	x			x			x	
CL 300	x	x			x			x	
CL 600	x	x			x			x	
CL 900 - 1500					x			x	
CL 2500					x			x	
End Connection Type									
Screwed ends G 1/2" / 1/2" NPT		x		x			x		
Flanged EN 1092-1	x (102mm)					x			
Flanged ANSI B16.5	x (102mm)					x			
Flangeless EN 1092-1 / ANSI B16.5	x (102mm)								
Weld ends		x		x			x		
APV flanges			x						
Screwed ends DIN 11851			x						
Others on request						x			
Bonnet Type									
Standard	x					x			
Bellows						x			
Normalizing fins						x			
Low temperature extension (300mm / 600mm)						x			
Approvals									
PED 97/23	x					x			
ATEX 94/9	x					x			

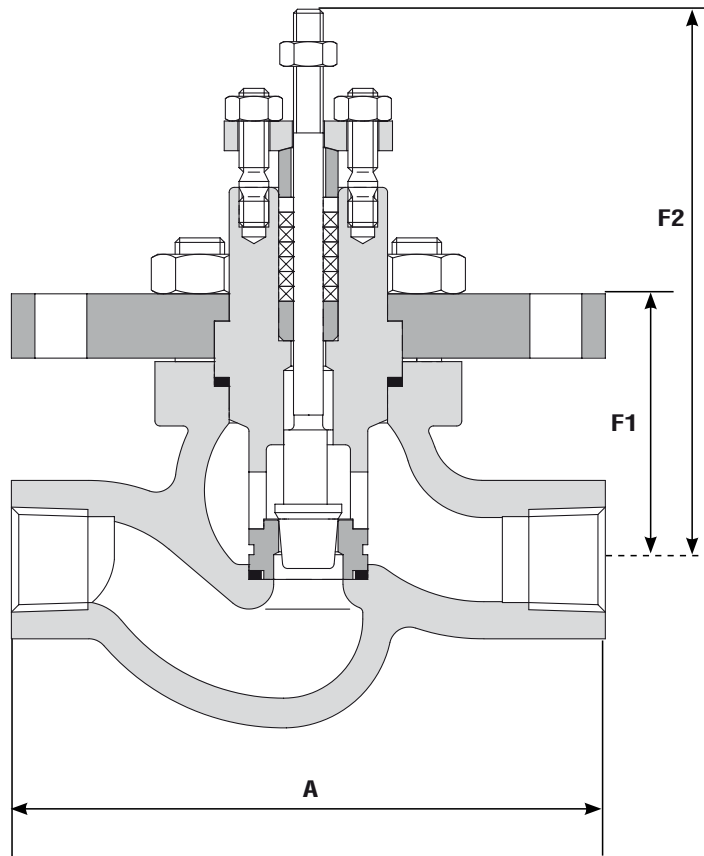
MATERIALS

	25	15	25	15	20	25	15	20	25
	1"	½"	1"	½"	¾"	1"	½"	¾"	1"
	Cast SP	Cast		Forged			Barstock		
Body Material									
1.4408 / CF3M	Stainless Steel	x	x						
1.4404 / 316L	Stainless Steel				x			x	
1.0619 / WCB	Carbon Steel		x						
1.0460 / A105	Carbon Steel				x			x	
Hastelloy 276								x	
Inconel 600								x	
Nickel								x	
Monel 400								x	
Other materials on request								x	
Bellows Material									
1.4571 PN 10-63			x		x			x	
1.4571 PN 100			x		x			x	
1.4571 PN 160			x		x			x	
1.4571 PN 250					x			x	
HC 276 PN 10-63			x		x			x	
Packing									
PTFE	x					x			
Graphite SAS	x					x			
PTFE V-Ring spring loaded	x					x			
SureGuard HP	ISO 15848-1 Class B (max PN100)	x	x					x	
ISO-C	ISO 15848-1 Class C (max PN 160)	x	x					x	
Body Gaskets									
PTFE	x					x			

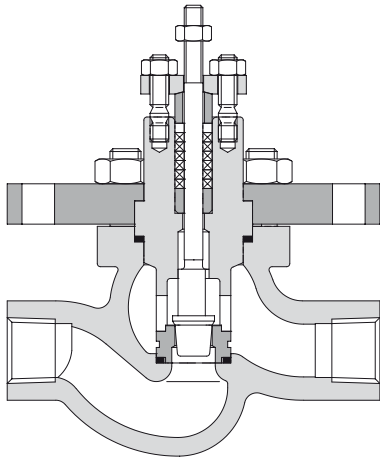
DIMENSIONS

	25	15	20	25
	1"	½"	¾"	1"
A [mm/in]				
Screwed ends G ½" / ½" NPT		120 / 4.7		
Flanged EN 1092-1 (PN 10-40)	102 / 4.0	130 / 5.1	150 / 5.9	160 / 6.3
Flanged EN 1092-1 (PN 63-160)	102 / 4.0	210 / 8.3	230 / 9.1	230 / 9.1
Flanged EN 1092-1 (PN 250)		230 / 9.1	260 / 10.2	260 / 10.2
Flanged EN 1092-1 (PN 400)		230 / 9.1	260 / 10.2	260 / 10.2
Flanged ANSI B16.5 (Class 150)	102 / 4.0	178 / 7.0	184 / 7.25	184 / 7.25
Flanged ANSI B16.5 (Class 300)	102 / 4.0	190 / 7.5	197 / 7.75	197 / 7.75
Flanged ANSI B16.5 (Class 600)	102 / 4.0	203 / 8.0	206 / 8.1	210 / 8.25
Flanged ANSI B16.5 (Class 900-1500)		216 / 8.5	229 / 9.35	254 / 10.0
Flanged ANSI B16.5 (Class 2500)		264 / 10.4	273 / 10.75	308 / 12.15
Flangeless PN 10-160 Class 150-600	102 / 4.0			
Weld ends		120 / 4.7		
APV Flansche				128 / 5.0
F1 [mm/in]				
Standard	94 / 3.7		54 / 2.1	
Bellows seal			198 / 7.8	
Standard, extended			94 / 3.7	
Low temperature extension (300mm)			368 / 14.5	
Low temperature extension (600mm)			668 / 26.3	
F2 [mm/in]				
Standard	151 / 6.0		54 / 2.1	
Bellows seal			198 / 7.8	
Standard, extended			94 / 3.7	
Low temperature extension (300mm)			368 / 14.5	
Low temperature extension (600mm)			668 / 26.3	

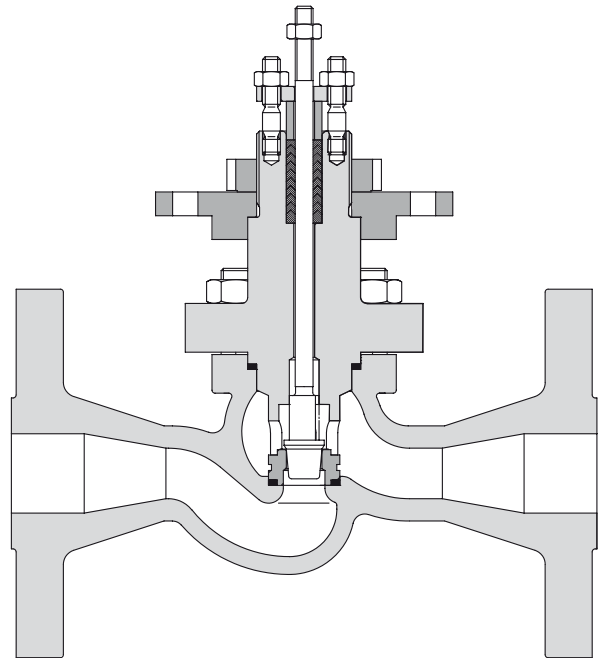
DIMENSIONS



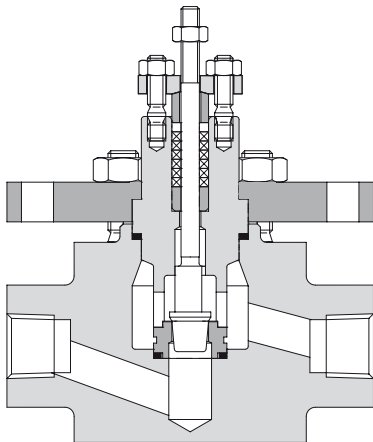
SmallFlow - 385000



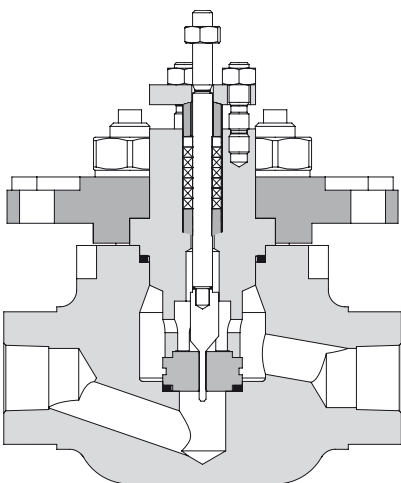
Standard Design



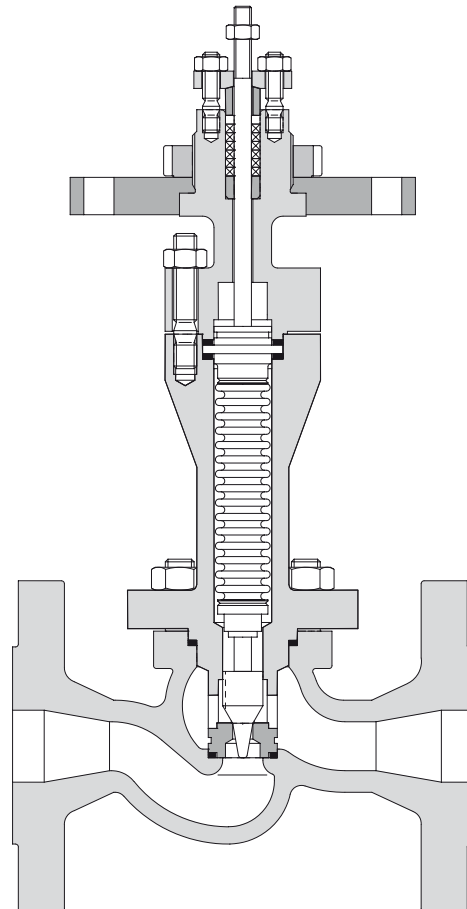
Standard Extension



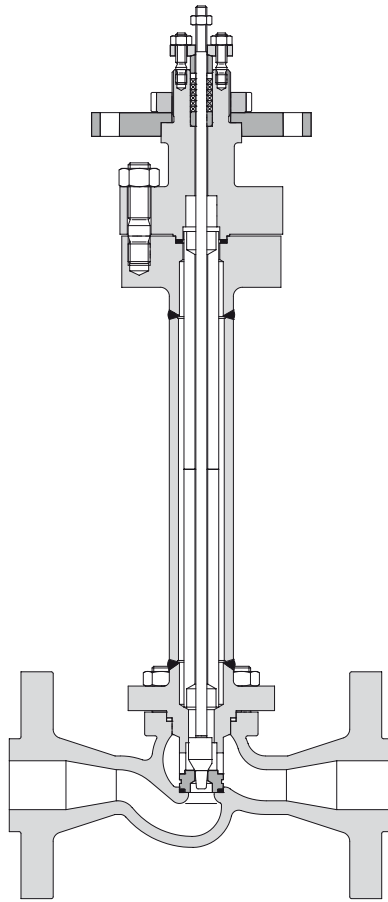
Special Material



Forged Material

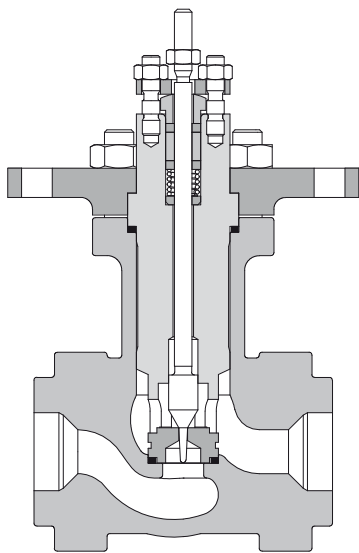


Bellows Seal

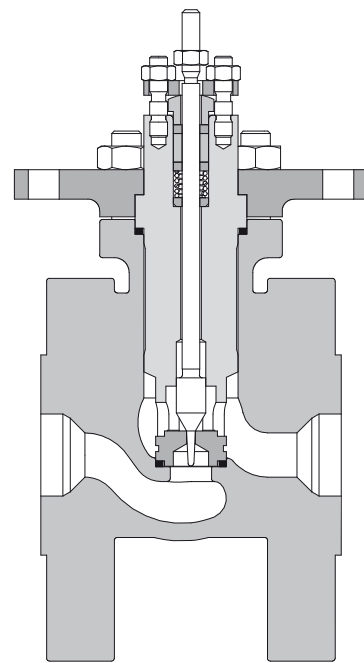


Cryogenic Extension

SmallFlow - 385000 SP



Without Flange



With Flange



Germany

Flowserve Essen GmbH
Schederhofstr. 71
45145 Essen
Deutschland
Tel.: +49 (0)201 8919 5
Fax: +49 (0)201 8919 662

USA

Flowserve Flow Control
Quick Response Center
5114 Railroad Street
Deer Park, Texas 77536
USA
Phone: +1 281 479 9500
Fax: +1 281 479 8511

Singapore

Flowserve Pte Ltd
12 Tuas Avenue 20
Singapore, 638824
Singapore
Tel.: +65 6879 8989
Fax: +65 6862 4940

Your contact:

A large, empty rounded rectangular box with a dashed border, intended for a contact name.