



# ***Kämmer® Series 132000***

Corrosive Application Valves



***Experience In Motion***



The new series 132000 control valve completes the range of lined valves within the FLOWSERVE corporation. Many years of experience in the manufacture of lined ball and plug valves and the sophisticated experience of manufacturing excellent reproducible trims for linear valves are combined in this new product.

High quality lining materials such as PFA (standard), PVDF, PP, ETFE and FEP as well as PFA antistatic, cover most mediums and applications. The revolutionary PTFE bellows design allows a standard pressure rating of PN16. The increased flow capacity means that the most economical valve can be chosen for the application.



## ***Standard Features and Benefits***

- Anti-blowout stem design
- T-groove liner connection
- PN16 modified PTFE bellows seal, as standard configuration
- Guided stem
- Metal to metal body/bonnet connection for defined compression of the gasket
- Liner thickness 3.5 mm for valve sizes up to DN 20 / ¾" and 5 mm for all sizes above
- Threaded plug and seat interchangeable with other plug and seat sizes
- DIN / ANSI bodies and connections

### ***Optional:***

- Hastelloy C-276 plug and seat inserts for small  $K_{vs}$  /  $C_{vs}$ -values
- Test connection NPT ¼"

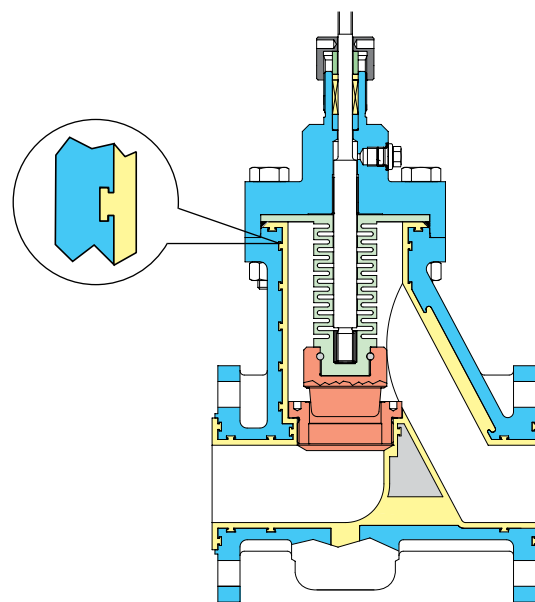


## Lining Materials

The liner material, the seat and the bellows seal are the only parts which are in contact with the medium. High quality lining materials such as PFA, (Perfluoroalkoxy resin) protect the metal parts of the valve assembly.

T-grooves provide an extremely robust connection between the liner and the valve metal body, especially important in vacuum applications. The liner thickness is 3.5 mm for valve sizes up to DN 20 / 3/4" and 5 mm for all sizes above.

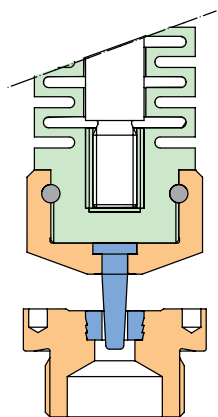
Liner materials are available in most common combinations. PFA, FEP, PP, PVDF, ETFE or antistatic PFA cover most application requirements.



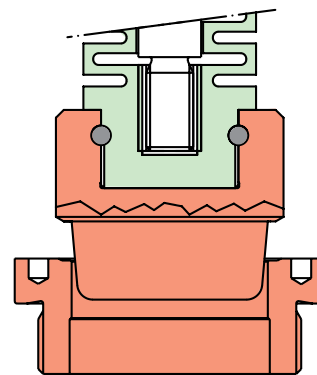
T-Groove Liner Connection

## Trim Design

Threaded plug and seat design for easy replacement and maintenance. Excellent reproduceable trims and  $C_v$ -values based on long term experience even for small and very small  $C_v$ -values



Hastelloy Plug and Seat Inserts



PTFE Plug and Seat



**Germany**

**Flowserve Essen GmbH**

Schederhofstr. 71  
45145 Essen  
Deutschland  
Tel.: +49 (0)201 8919 5  
Fax: +49 (0)201 8919 662

**USA**

**Flowserve Corporation**

1300 Parkway View Drive  
Pittsburgh, PA 15205  
USA  
Tel.: +1 412 787 8803  
Fax: +1 412 787 1944

**Singapore**

**Flowserve Pte Ltd**

12 Tuas Avenue 20  
Singapore, 638824  
Singapore  
Tel.: +65 6879 8989  
Fax: +65 6862 4940

FCD KMENBR3221-02-AQ Printed in USA. April 2014. © 2014 Flowserve Corporation

***To find your local Flowserve representative:***

For more information about Flowserve Corporation,  
visit [www.flowserve.com](http://www.flowserve.com) or call +1 937 890 5839.