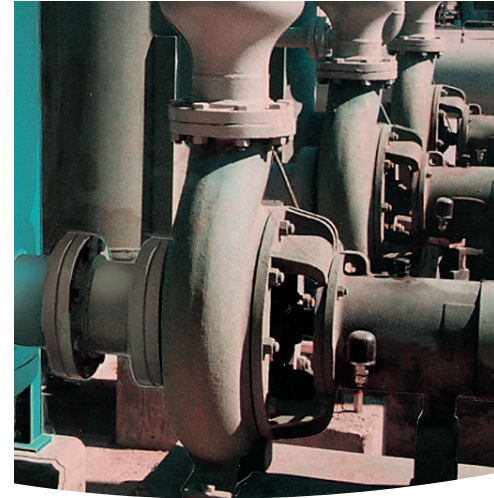


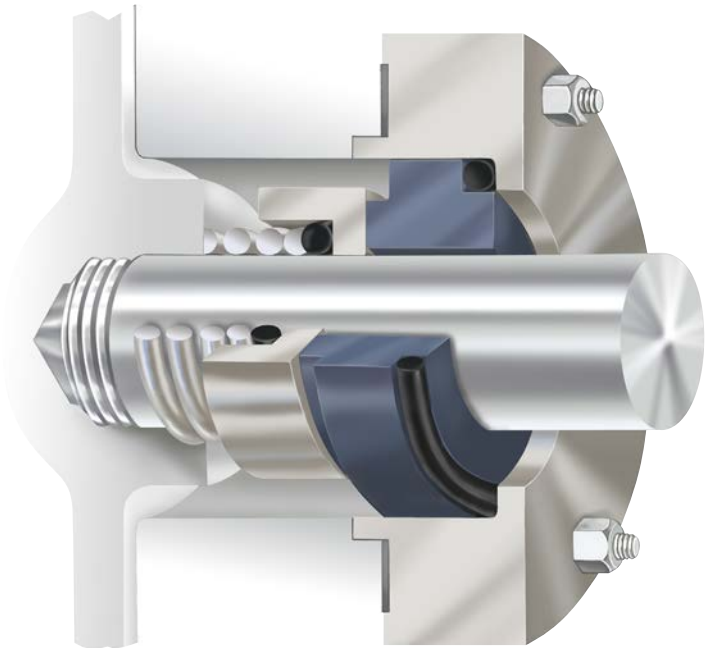
Single coil spring, friction drive seal

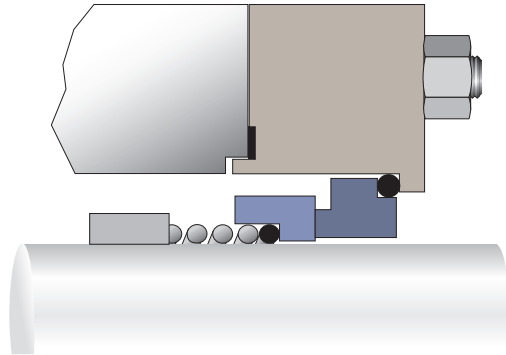
An economical, single coil spring, friction drive seal for use in ANSI chemical pumps with packing box seal chambers. Minimum number of seal components with heavy cross sections simplify installation and resist high levels of corrosion. Double CRO design has no wetted metals and a common spring. The CRO series is available off the shelf in standard configurations for all of the popular chemical pumps offered today.



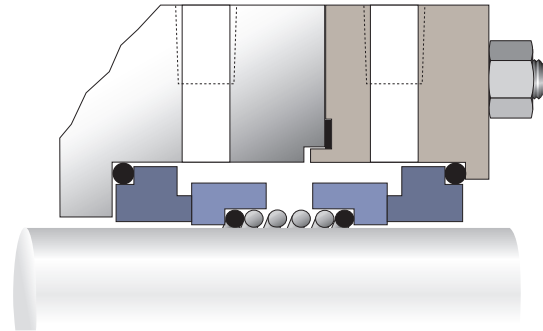
Features and Benefits

- Rotating Seal Ring - Self centers around the shaft. Designed to withstand the harsh physical demands of cyclic operation or continuous duty. Available in a wide range of standard materials.
- Single Coil Spring - Robust spring resists clogging and chemical attack. CRO-P option adds positive rotor drive through a drive collar and pin arrangement.
- Shaft Packing - Completely interchangeable materials without changing other components. Available in a wide range of materials for compatibility with process fluids and process temperatures.
- Stationary Insert - Flexibly mounted to prevent distortion.
- O-rings - Dimensionally interchangeable for versatility in secondary seal materials selections.





CRO



Double CRO

Operating Parameters

Pressure	up to 20 bar (300 psi)
Temperature	
CRO	-40 to 49°C (-40 to 120°F)
CRO-P	-40 to 260°C (-40 to 500°F)
Shaft Speed	up to 23 m/s (75 fps)
Shaft Sizes	9.5 to 89 mm (0.375 to 3.500 inch)

Materials of Construction

Metal Components	316 Stainless Steel, Alloy C-276, 20 Stainless Steel
Rotating Face	Tungsten Carbide, Silicon Carbide, Peramic, Durchrome®
Stationary Face	Tungsten Carbide, Silicon Carbide, Bronze, Resin Carbon
Spring	304, 316, or 20 Stainless Steel, Alloy C-276 or B-2, XM-19 or 17-7 PH Stainless Steel, Titanium, Alloy 400
Gaskets	Fluoroelastomer, Buna N, EPDM, Rubber (EPR), Perfluoroelastomer, Neoprene, PTFE

© Durchrome a registered trade mark of Flowserve Corporation

FSD169eng REV 10-11 Printed in USA

To find your local Flowserve representative
and find out more about Flowserve Corporation
visit www.flowserve.com

USA and Canada

Kalamazoo, Michigan USA
Telephone: 1 269 381 2650
Telefax: 1 269 382 8726

Europe, Middle East, Africa

Roosendaal, The Netherlands
Telephone: 31 165 581400
Telefax: 31 165 554590

Asia Pacific

Singapore
Telephone: 65 6544 6800
Telefax: 65 6214 0541

Latin America

Mexico City
Telephone: 52 55 5567 7170

Flowserve Corporation has established industry leadership in the design and manufacture of its products. When properly selected, this Flowserve product is designed to perform its intended function safely during its useful life. However, the purchaser or user of Flowserve products should be aware that Flowserve products might be used in numerous applications under a wide variety of industrial service conditions. Although Flowserve can provide general guidelines, it cannot provide specific data and warnings for all possible applications. The purchaser/user must therefore assume the ultimate responsibility for the proper sizing and selection, installation, operation, and maintenance of Flowserve products. The purchaser/user should read and understand the Installation Instructions included with the product, and train its employees and contractors in the safe use of Flowserve products in connection with the specific application.

While the information and specifications contained in this literature are believed to be accurate, they are supplied for informative purposes only and should not be considered certified or as a guarantee of satisfactory results by reliance thereon. Nothing contained herein is to be construed as a warranty or guarantee, express or implied, regarding any matter with respect to this product. Because Flowserve is continually improving and upgrading its product design, the specifications, dimensions and information contained herein are subject to change without notice. Should any question arise concerning these provisions, the purchaser/user should contact Flowserve Corporation at any one of its worldwide operations or offices.