



Hydraulic Decoking System

Scorpion FLS 600 Drill Stem Tensioner

Under its Worthington[®], Pacific[®] and IDP[®] heritage names, Flowserve hydraulic decoking systems are installed in more than 150 refineries worldwide.



Decoking Drill Stem Tensioner

The Flowserve Scorpion FLS 600 hydraulic decoking drill stem tensioner improves safety and reduces disassembly and reassembly time compared to labor-intensive traditional methods.

Proper tensioning of the decoking drill stem is critical for safe, long-term operations of the hydraulic decoking system. Traditionally, chain tongs are used to assemble and disassemble the drill stems, requiring lengthy set-up and service times and multiple people to operate. These factors increase downtime and add risk to personnel safety.

The Flowserve Scorpion FLS 600 Drill Stem Tensioner represents a significant improvement in decoking drill stem tension adjustment operations:

Improved safety over manual chain tongs

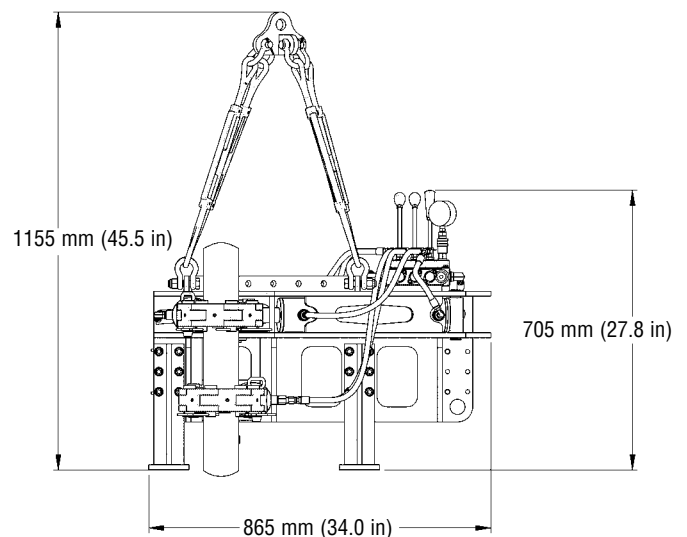
Easy to operate drill stem tensioner provides powerful, versatile method for making up and breaking out drill stem sections; instantly changes from break-out to make-up mode; portable and compact design.

Built-in backup does not require permanent anchor for operations.

Adjustable spacing between arms increases flexibility.

Multiple power pack options are available, including: electric, pneumatic and hydraulic.

Chain design enables adjustments compatible with all Flowserve drill stems.



Increased Efficiency of Make-up and Break-out

The Scorpion FLS 600 is a valuable asset to any decoking operation that utilizes threaded drill stems. Replacing the process of manual drill stem assembly using multiple chain tongs, the FLS 600 provides a single operator with a powerful and versatile method of making up and breaking out drill stem sections. Its adjustable chain design allows the FLS 600 to work on all Flowserve drill stems, greatly simplifying disassembly and reassembly of the stem sections and assuring the proper torque levels. The adjustable arm spacing provides additional flexibility in drill stem assembly.

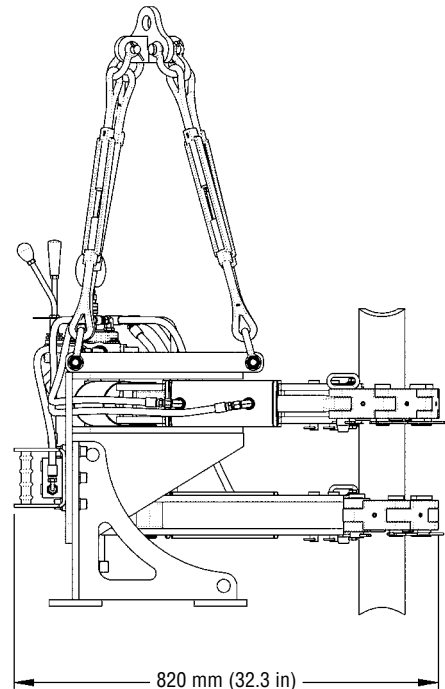
Improved Safety

Compared to conventional methods using chain tongs, the Scorpion FLS 600 significantly reduces the risk to personnel safety. Conventional methods require a team using two wrenches for each pipe section: one to hold the bottom stem section stationary and one to rotate the top section. The stationary wrench is anchored by a chain that connects to the structure, and the moving wrench is pulled by another chain connected to a winch system. The potential malfunction of the chain systems represents a serious threat to team safety.

The Scorpion FLS 600 replaces this equipment-intensive process with a single unit that is both safer and easier to operate. Its compact, single-unit design increases portability and alleviates the process of getting equipment and crews in place. The FLS 600's built-in backup removes the need for a permanent anchor and enables operation by a single individual without risk to personnel safety.

Specifications

O.D. Range	Fits all Flowserve drill stems
Arm Spacing Adjustment	40–205 mm (1.5–8.0 in)
Torque Range	Make-up — 27 100 Nm (20 000 ft-lbs) Break-out — 40 700 Nm (30 000 ft-lbs)
Dimensions	865 mm W x 710 mm H x 840 mm D (34 in W x 28 in H x 33 in D)
Weight	225 kg (500 lb)



Bulletin PSS-90-6.15a (E/A4) August 2012. © 2012 Flowserve Corporation

To find your local Flowserve representative:

For more information about Flowserve Corporation, visit www.flowserve.com or call +1 937 890 5839.

USA and Canada

Flowserve Corporation
5215 North O'Connor Blvd.
Suite 2300
Irving, Texas 75039-5421 USA
Telephone: +1 937 890 5839

Europe, Middle East, Africa

Flowserve Corporation
Parallelweg 13
4878 AH Etten-Leur
The Netherlands
Telephone: +31 76 502 8100

Latin America

Flowserve Corporation
Martín Rodríguez 4460
B1644CGN-Victoria-San Fernando
Buenos Aires, Argentina
Telephone: +54 11 4006 8700
Telefax: +54 11 4714 1610

Asia Pacific

Flowserve Pte. Ltd.
10 Tuas Loop
Singapore 637345
Telephone: +65 6771 0600
Telefax: +65 6862 2329