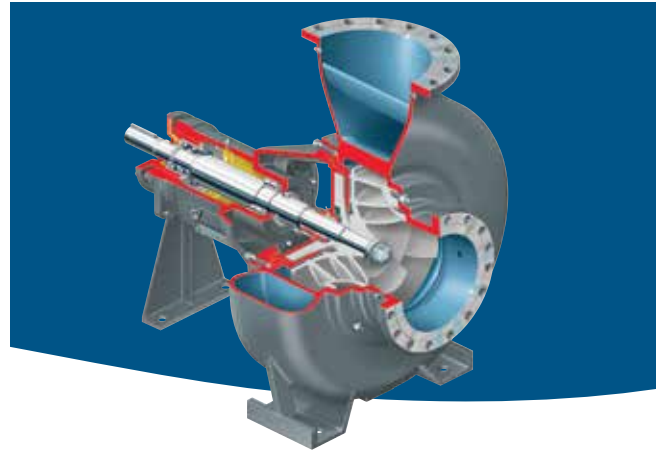




# FRBH Pump Quick Ship Program

## Quickness Without Compromise

To meet the demands of its customers, Flowserve now offers (6) six-week shipment on select FRBH pumps.



The (6) six-week program includes bare pump packages comprised of either:

- Cast Iron Casing
- Cast Iron Impeller
- 1045 Steel Pump Shaft
- CBS Stuffing Box Configuration With Packing

Or:

- CD4 Casing
- CD4 Impeller
- 1045 Steel Pump Shaft
- CBS Stuffing Box Configuration With Packing

### Program Details

- Hydraulic selection—Refer to Affinity™\*
- Pricing—Refer to Affinity
- Terms
  - Flowserve global standard terms and conditions
  - Warranty: 12 months from start-up or 18 months from shipment, whichever occurs first
  - Net 30 days payment

### Pump Documentation

- No customer approvals allowed
- Data package consists of:
  - Final Affinity general arrangement drawing
  - Affinity performance curve
  - Pump data sheet
  - User instruction manual

### Available Sizes

- 3FRBH141
- 4FRBH141
- 6FRBH111
- 10FRBH182
- 6FRBH142
- 8FRBH152
- 8FRBH182
- 3FRBH182
- 4FRBH182
- 14FRBH183
- 16FRBH183
- 8FRBH223

Additional sizes and materials of construction are available within Affinity at published lead times.

\*Affinity is the Flowserve Web-based pump selection tool. Affinity provides real-time access to the latest, most accurate data about Flowserve pumps.

PSS-10-16.1 (E) April 2014.  
© 2014 Flowserve Corporation

**To find your local Flowserve representative or for more information about Flowserve Corporation, visit [www.flowserve.com](http://www.flowserve.com) or call +1 937 890 5839.**

#### USA and Canada

Flowserve Corporation  
5215 North O'Connor Blvd.  
Suite 2300  
Irving, Texas 75039-5421 USA  
Telephone: +1 937 890 5839

#### Latin America

Flowserve Corporation  
Martín Rodríguez 4460  
B1644CGN-Victoria-San Fernando  
Buenos Aires, Argentina  
Telephone: +54 11 4006 8700  
Telefax: +54 11 4714 1610

#### Europe, Middle East, Africa

Flowserve Corporation  
Parallelweg 13  
4878 AH Etten-Leur  
The Netherlands  
Telephone: +31 76 502 8100

#### Asia Pacific

Flowserve Pte. Ltd.  
10 Tuas Loop  
Singapore 637345  
Telephone: +65 6771 0600  
Telefax: +65 6862 2329