



## *Rebowl Services Upgrades for Vertical Turbine Pumps*



*Experience In Motion*

**Rebowl Services**  
**Upgrades for Vertical**  
**Turbine Pumps**

**Boost Pump Performance**  
**and Reduce Operating Costs**

*After years of continuous, heavy-duty service, the performance and operation of vertical turbine pumps can decline. Often indicated by excessive vibration, cavitation and loss of head, pump fatigue is a costly condition resulting in increased power consumption and maintenance costs.*

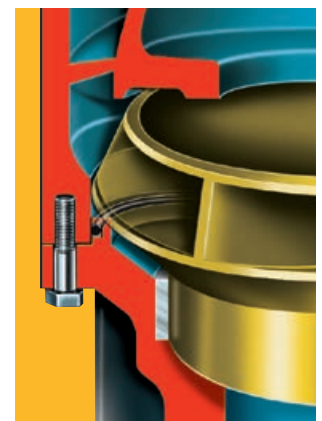
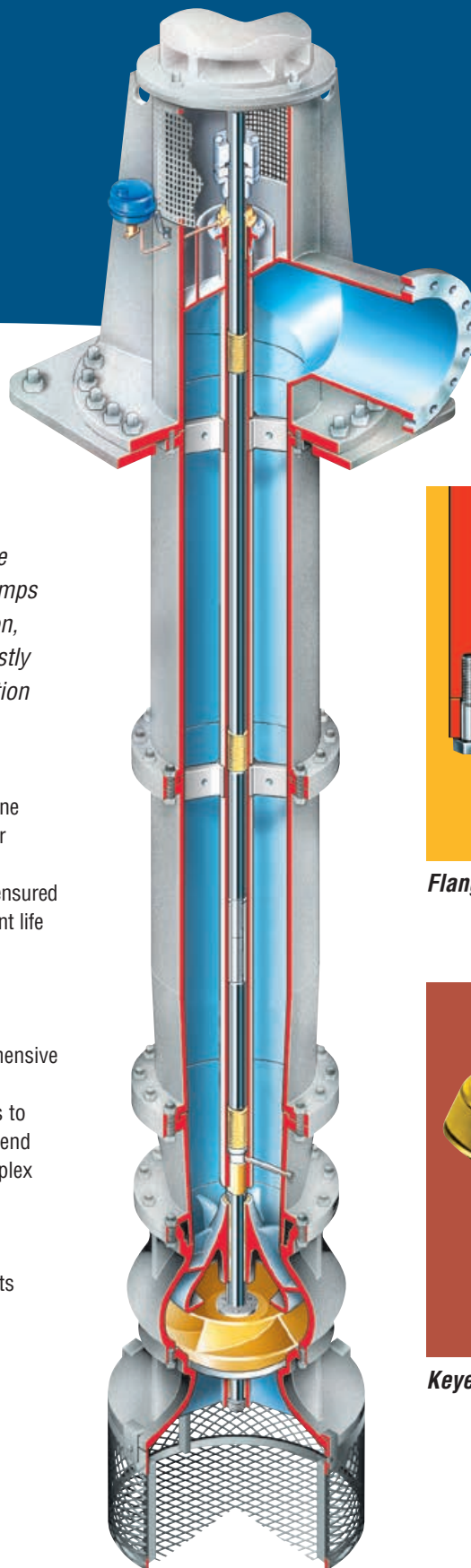
Flowserve has developed an extensive rebowl services program that revitalizes the performance of vertical turbine pumps and reduces total pump operating costs. Whether restoring an aged pump or accommodating a change in operating conditions (capacity or head), customers are ensured high quality upgrades that focus on prolonging equipment life and improving safety.

**Rebowl Specialists**

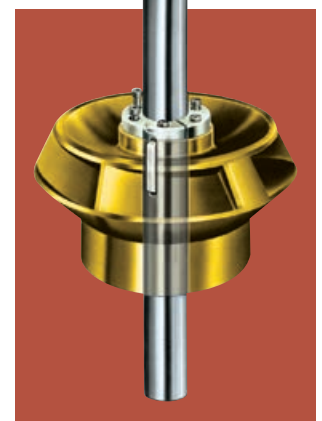
As a manufacturer of one of the world's most comprehensive lines of vertical turbine, mixed and axial flow pumps, Flowserve has the engineering expertise and resources to diagnose existing and potential problems and recommend appropriate corrective services for even the most complex of vertical pumps.

Rebowl services include:

- Complete up-front inspection of all pump components
- Refurbishment of deteriorated components
- Upgraded replacement components
- Materials upgrades
- Warranty of both service and parts
- On-site installation service available

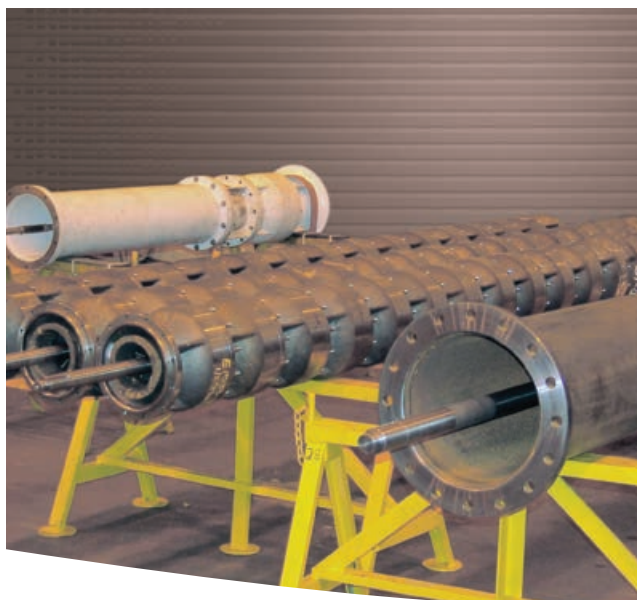


**Flanged bowl with O-ring**



**Keyed impeller**

*Flowserve re bowl services are available for any vertical turbine pump, regardless of model, age, service or manufacturer.*



### **Rebowl and Upgrade Options**

- Reuse existing discharge head and column pipe
- Convert from open to enclosed lineshaft
- Convert from packed box to mechanical seal
- Upgrade materials
- Enclosed, open or semi-open impellers, keyed or collet mounted
- Open or enclosed lineshaft construction
- Product, oil or water injection bearing lubrication
- Flanged or threaded column pipe
- Bowl and enclosed impeller wear rings
- Cast iron or fabricated steel discharge head
- Above or below ground discharge
- Multiple drivers
  - Electric motors
  - Engines with right angle gears
  - Steam turbines
- Motor steady bushings for a two-piece headshaft

### **Bottom-line Benefits**

Flowserve rebowl services provide the following significant benefits to vertical turbine pumps:

- Improved pump performance
- Reduced power consumption
- Increased reliability
- Reduced maintenance costs
- Increased uptime

### **Service for All Makes and Models**

Flowserve rebowl services are available for any vertical turbine pump, regardless of model, age, service or manufacturer.



### **For Rebowl Services, Call Flowserve**

Flowserve rebowl technicians are committed to getting pumps back in service in the shortest possible time. To schedule service, please call +1 937 890 5839.

Flowserve has a global network of service centers to ensure upgrades are performed expertly and quickly.

Twenty-four hour service is available for emergency repairs.





Bulletin PS-100-4e (E/A4) January 2016. © 2016 Flowserve Corporation

***To find your local Flowserve representative:***

For more information about Flowserve Corporation,  
visit [www.flowserve.com](http://www.flowserve.com) or call +1 937 890 5839.

**USA and Canada**

Flowserve Corporation  
5215 North O'Connor Blvd.  
Suite 2300  
Irving, Texas 75039-5421 USA  
Telephone: +1 937 890 5839

**Europe, Middle East, Africa**

Flowserve Corporation  
Parallelweg 13  
4878 AH Etten-Leur  
The Netherlands  
Telephone: +31 76 502 8100

**Latin America**

Flowserve Corporation  
Martín Rodríguez 4460  
B1644CGN-Victoria-San Fernando  
Buenos Aires, Argentina  
Telephone: +54 11 4006 8700  
Telefax: +54 11 4714 1610

**Asia Pacific**

Flowserve Pte. Ltd.  
10 Tuas Loop  
Singapore 637345  
Telephone: +65 6771 0600  
Telefax: +65 6862 2329