

# BGM

The most technically advanced and reliable bearing protection available today for your rotating equipment reduces the effects of high humidity, temperature transients, heat and dust environments that cause routine bearing failure by positively sealing your bearing from the atmosphere.

### Features/Benefits

- Outside face - keeps moisture and external debris out even when splashed by high pressure wash down water streams or nasty weather.
- Shoulder - sets precise depth dimension for stator fit into the bearing frame. No guesswork. No possibility of pushing seal too far back into housing bore.
- Coaxial face design - two faces are better than one. The BGM seal is designed for maximum sealability (to keep the seal faces together) and at the same time, a minimal face load. The benefit of this coaxial face design is longest possible seal life.
- Rotor - made of wear resistant grade of carbon graphite is inert and won't corrode.
- Rare earth magnets - button shaped magnets are bonded into the rotor, offering greater corrosion resistance than alloys found on some competitive designs.
- Rotor drive O-ring - a TFE lubricated fluoroelastomer is selected because of its extremely low coefficient of friction.
- Stainless steel stator - resists corrosive atmospheres without the use of additional coatings.

### BGM Projected Life

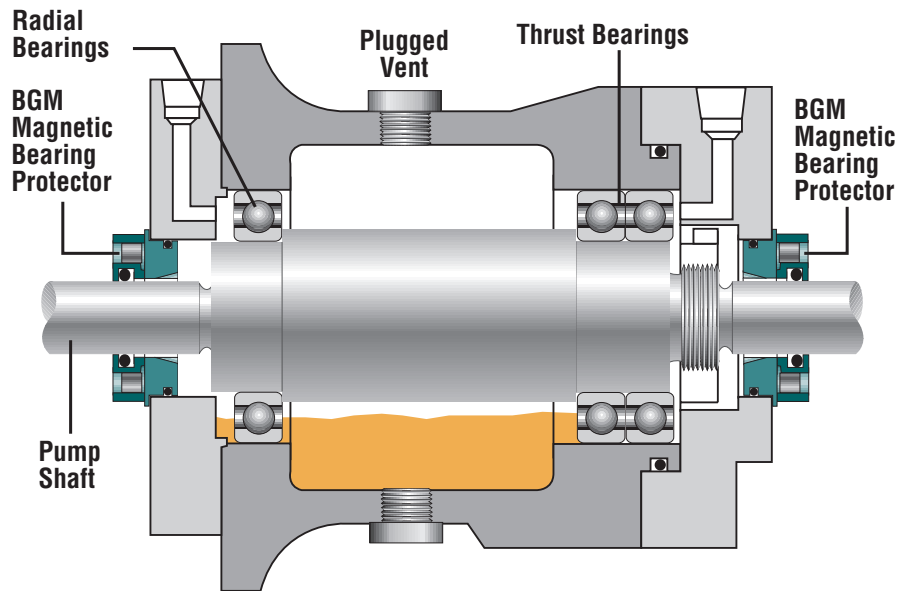
- 17,500 hours (2 years) versus standard lip seal life of 750 hours (1 month)



**Fits Existing Lip Seal Cavities. Seals Off the Bearing Housing Completely.**

For optimum performance it is recommended that the internal bearing frame be completely isolated from atmosphere when using BGM seals. Such a closed system prevents external contamination and will accommodate changes in internal pressure due to humidity, steam, condensation, frictional heat generation, temperature transients, etc.

This can be easily accomplished by :  
(1) removing the bearing housing vent and plugging it; and (2) removing the conventional constant level oiler and replacing it with a bull's eye type sight gauge.



**BGM Sizes:**

Standard sizes are available up to 6-inch shaft diameters, and custom sizes and materials are available on request

The information and specifications presented in this product brochure are believed to be accurate, but are supplied for information purposes only and should not be considered certified or as a guarantee of satisfactory results by reliance thereon. Nothing contained herein is to be construed as a warranty or guarantee, express or implied, with respect to the product. Although Flowserve Corporation can provide general application guidelines, it cannot provide specific information for all possible applications. The purchaser/user must therefore assume the ultimate responsibility for the proper selection, installation, operation and maintenance of Flowserve products. Because Flowserve Corporation is continually improving and upgrading its product design, the specifications, dimensions and information contained herein are subject to change without notice.

**Primary Worldwide Flow Solutions Division Locations**

Licenseses, authorized agents, and affiliated companies located worldwide.

<p><b>United States</b> Kalamazoo, MI Phone 616-381-2650 Fax 616-381-8368</p>	<p><b>Canada</b> Edmonton, Alberta Phone 708-463-7958 Fax 708-450-1241</p>	<p><b>Netherlands</b> Roosendaal Phone 31-165-581-400 Fax 31-165-552-622</p>	<p><b>Argentina</b> Villa Martelli Phone 54-11-4709-6800 Fax 54-11-4709-7072</p>	<p><b>Australia</b> Marayong NSW Phone 61-2-8822-7100 Fax 61-2-9679-7511</p>
<p><b>Singapore</b> Phone 65-746-4318 Fax 65-747-1963</p>	<p><b>Mexico</b> Tlaxcala Phone 52-2-461-6791 Fax 52-2-461-6847</p>	<p><b>Brazil</b> Sao Paulo Phone 55-11-4066-8600 Fax 55-11-4066-7014</p>	<p><b>Japan</b> Osaka Phone 81-720-85-5571 Fax 81-720-85-5575</p>	<p><b>Germany</b> Dortmund Phone 49-231-6964-0 Fax 49-231-6964-248</p>