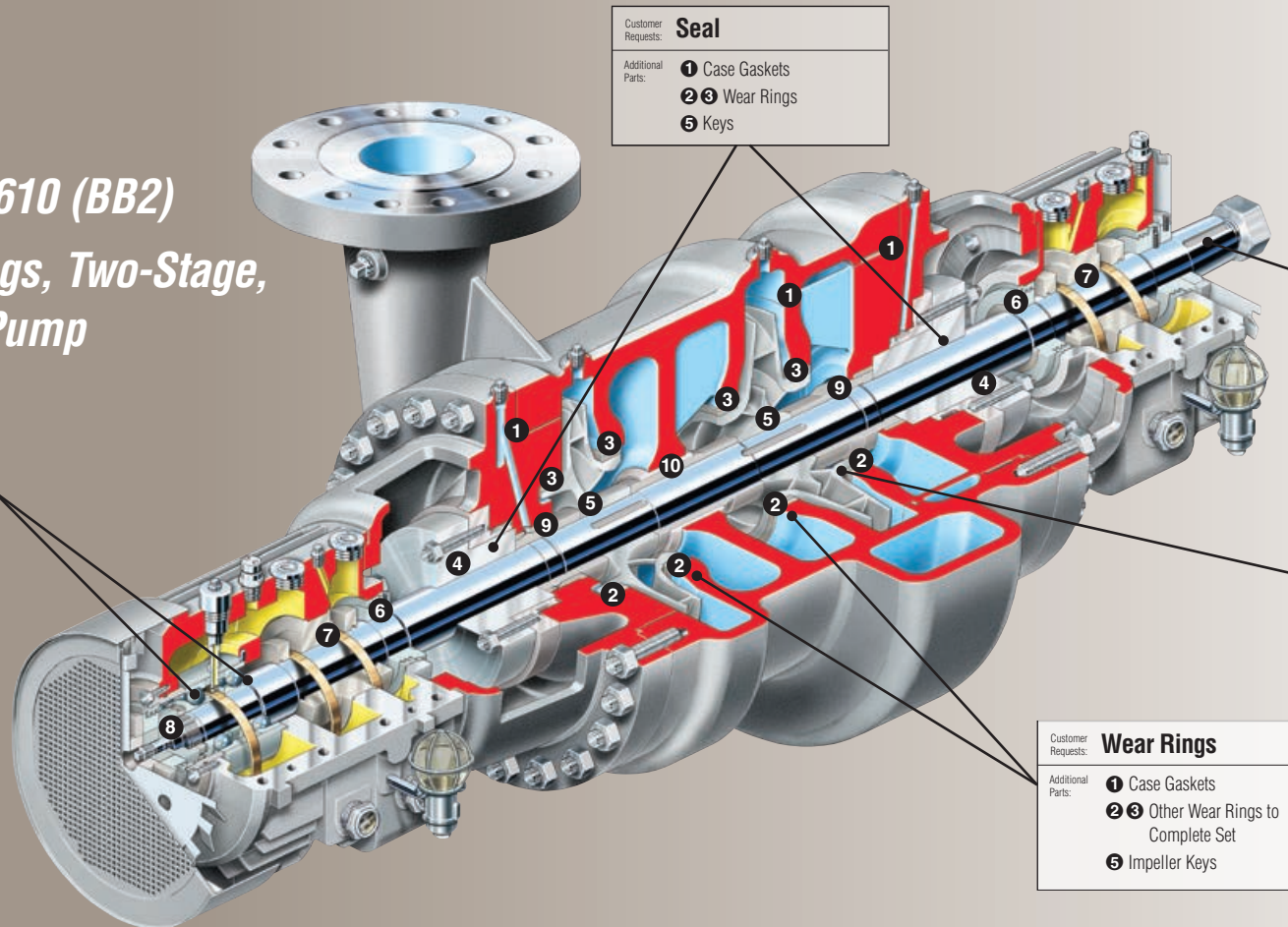


HED

ISO 13709/API 610 (BB2)

Between Bearings, Two-Stage,
Radially Split Pump



Customer Requests:	Bearings
Additional Parts:	<ul style="list-style-type: none"> 1 Case Gaskets 2 3 Wear Rings 4 Seal or Seal Refurbishment 5 Keys 6 Bearing Housing Gasket 8 Bearing Lock Nut and Lock Washer

Customer Requests:	Seal
Additional Parts:	<ul style="list-style-type: none"> 1 Case Gaskets 2 3 Wear Rings 5 Keys

Customer Requests:	Shaft
Additional Parts:	<ul style="list-style-type: none"> 1 Case Gaskets 4 Seal or Seal Refurbishment 5 Impeller Keys 6 Bearing Housing Gasket 7 Bearings 8 Bearing Lock Nut and Lock Washer 9 Impeller Nut 10 Shaft Sleeve

Customer Requests:	Impeller
Additional Parts:	<ul style="list-style-type: none"> 1 Case Gaskets 2 Impeller Wear Rings 3 Case/Cover Wear Rings 4 Seal or Seal Refurbishment 5 Impeller Keys, Throttle or Throat Bushings

Customer Requests:	Wear Rings
Additional Parts:	<ul style="list-style-type: none"> 1 Case Gaskets 2 3 Other Wear Rings to Complete Set 5 Impeller Keys