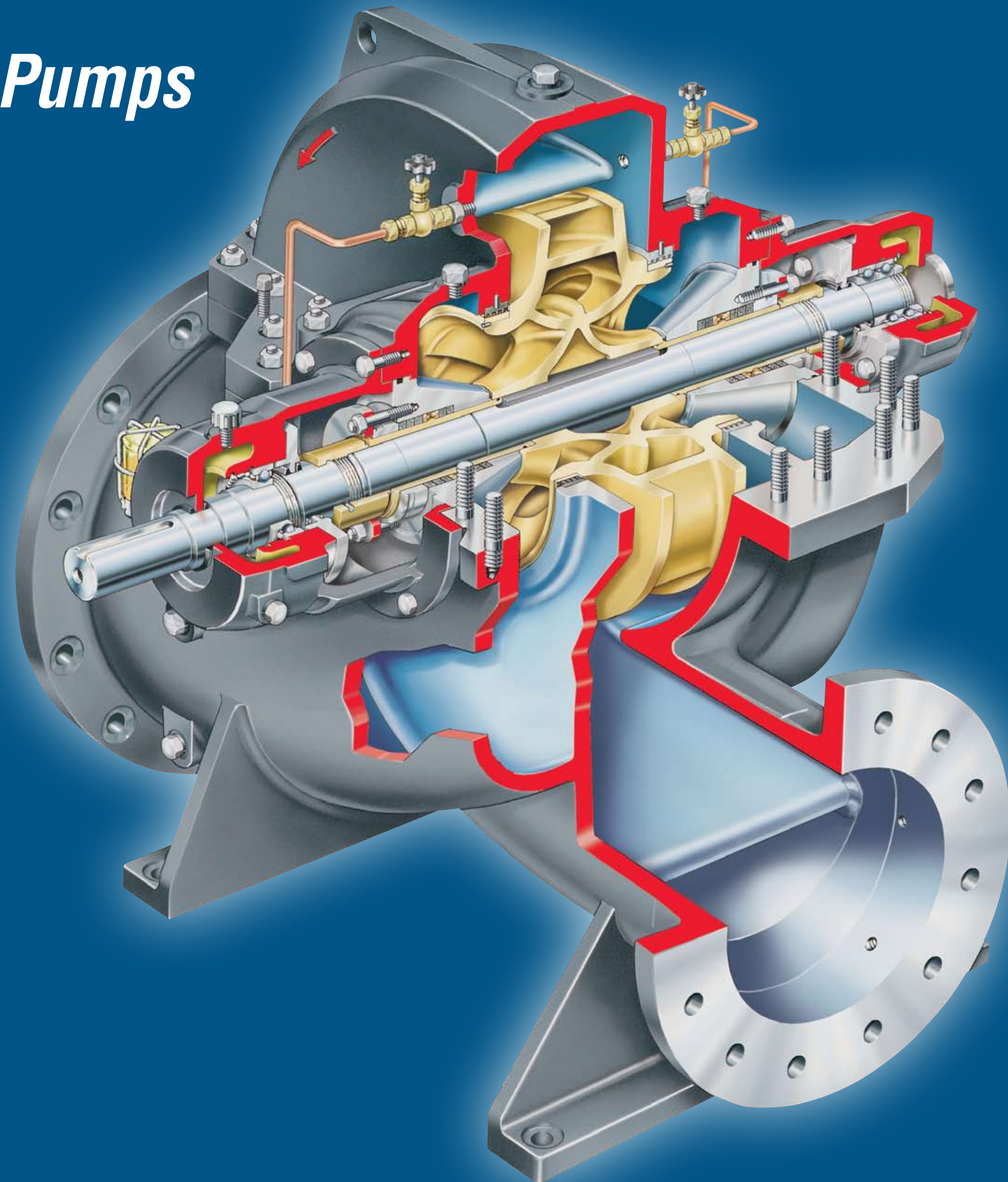


LNN

*Between Bearing, Axially Split,
Single-Stage,
Double-Suction Pumps*



LR

Axially Split, General Industry Pumps

