



FRBH Paper Stock and Process Pump

Accurate Alignment and Concentricity

Rigid one-piece bearing frame eliminates stack-up tolerances, ensuring precision alignment.

Reduced Deflection and Vibration

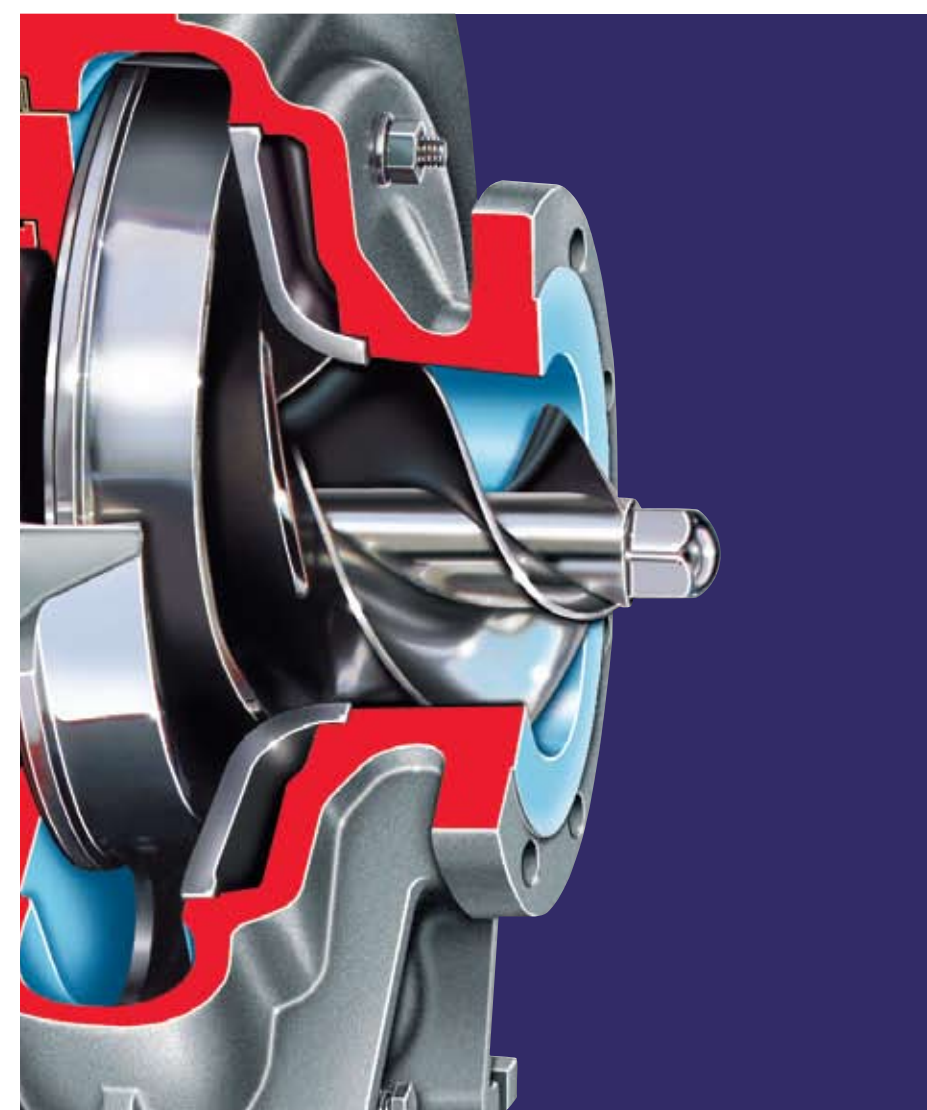
Extra heavy-duty alloy steel shaft minimizes deflection and vibration, prolonging pump and seal life.

Optimum Pump Efficiency

End clearance adjustment resets impeller clearance to restore performance and efficiency.

High-Efficiency Impeller

Semi-open, full vane impeller prevents clogging in thick, pulpy applications and is less sensitive to end clearance adjustment.

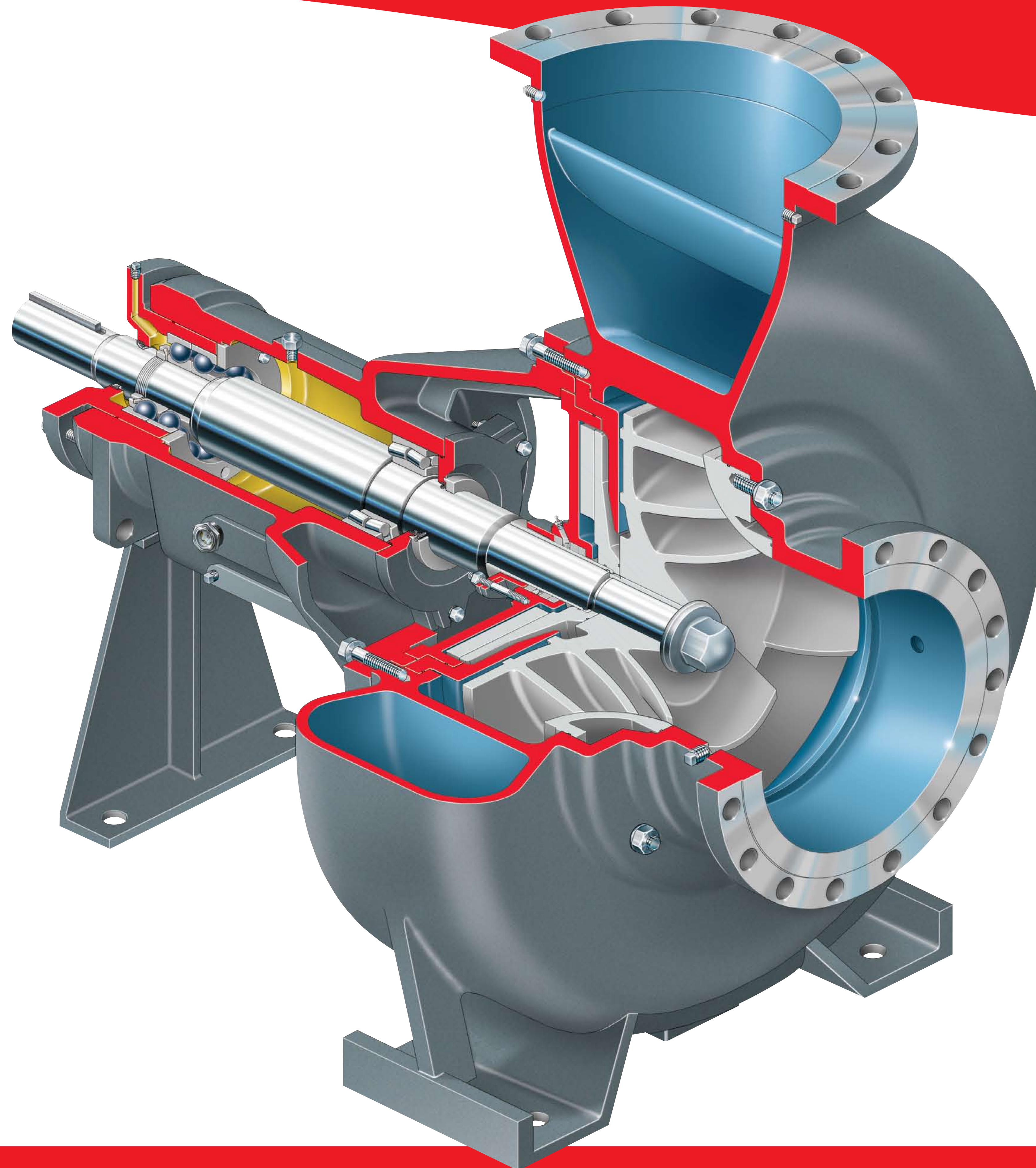


Dramatically Reduced NPSHR

Optional inducer is recommended for low NPSHA applications. Pumps can be properly sized instead of resorting to running oversized pumps slowly.

Reduced Life Cycle Costs

Contoured wearplate at the impeller suction side protects the casing and prolongs pump efficiency.

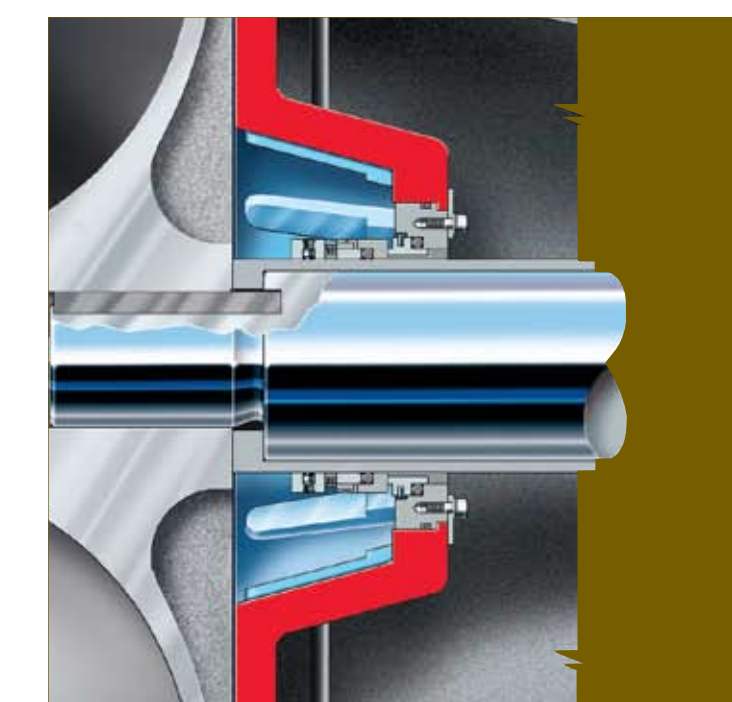


Available Expeller Sealing

Optional expeller eliminates costly flush water and the resulting product dilution. Large diameter and vane height improves sealing capability. Retrofit kits available.

Available Static Sealing Technology

Optional FXP seal prevents expeller leakage during shutdown.



Optional Product Flush Technology

Available large, conical seal housing with flow modifiers allows the seal to be product flushed.



USA and Canada
Flowserve Corporation
5215 North O'Connor Blvd.
Suite 2300
Irving, Texas 75039-5421 USA
Telephone: 1 937 890 5839

Europe, Middle East, Africa
Flowserve Corporation
Gebouw Hagepoint
Westbroek 59-51
4822 ZX Breda
Netherlands
Telephone: 31 76 502 8920

Latin America
Flowserve Corporation
Boulevard del Cafetal
Edificio Ninina, Local 7
El Cafetal - Caracas
Venezuela 1061
Telephone: 58 212 985 3092
Telefax: 58 212 985 1007

Asia Pacific
Flowserve Pte. Ltd.
200 Pandan Loop #06-03/04
Pantech 21
Singapore 128388
Telephone: 65 6771 0600
Telefax: 65 6779 4607

FPD-1119a (E) Printed in USA, March 2009
© Flowserve Corporation