



## Nordstrom Valves

Introducing the new  
**Super Nordstrom® Regular Pattern  
Iron Plug Valve**

Sizes available: Figure 114 threaded end valves - Nominal pipe sizes  
1/2-2 and 3 (DN 15-50 and 80)  
Figure 115 flanged end valves - Nominal pipe sizes  
1-4 (DN 25-100)

Pressure rating: 200 CWP (13.8 bar)

Temperature range: -20°F to 350°F (-29°C to 177°C)

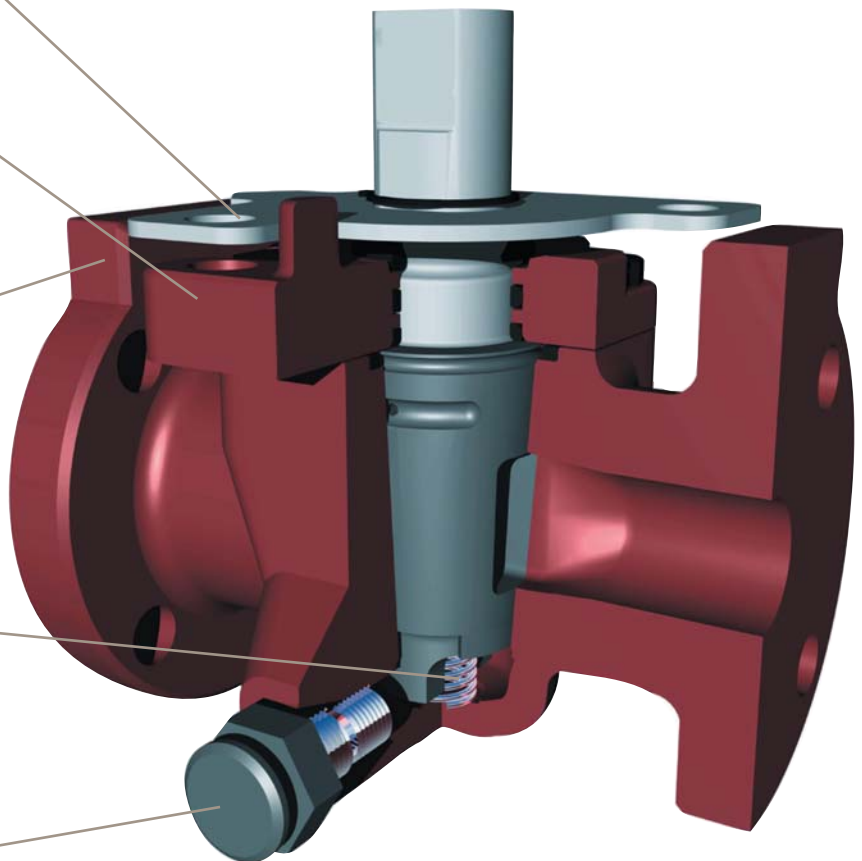
**Integral Stop and Locking Device** – Same reliable and easy-to-use design as two-bolt cover valves.

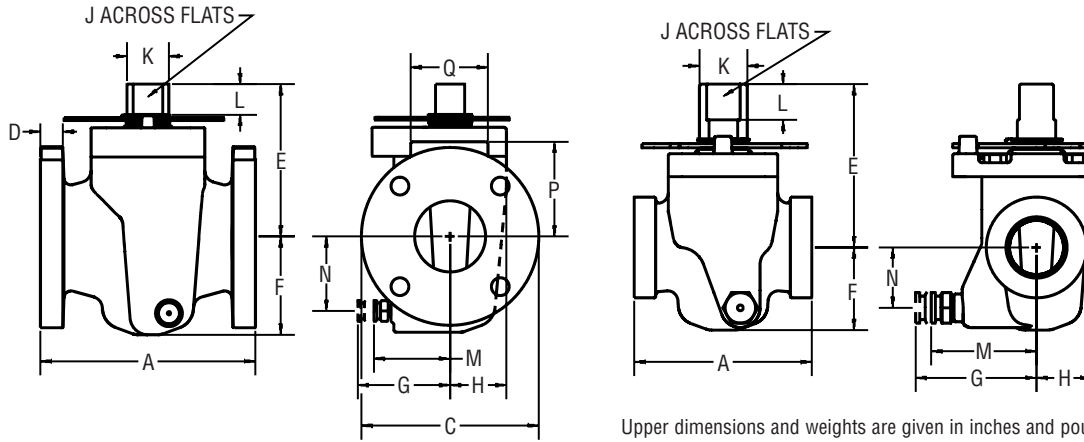
**Redesigned Cover** – Eliminates debris trap around stem that can retain moisture and cause corrosion.

**Actuator Mounting Pads** – Allows for convenient field attachment of operator/actuator mounting brackets thus eliminating the need for expensive saddle-type brackets or violating the integrity of the cover bolts.

**Balance Spring** – Mechanically balanced providing lower and predictable operating torques.

**Side-Mounted Sealant Injection Fitting** – Improved sealant injection system allowing sealant injection under plug for effective plug jacking.





Upper dimensions and weights are given in inches and pounds.  
Lower dimensions and weights are given in millimeters and kilograms.

Nominal Valve Size	NPS DN	1/2 15	3/4 20	1 25	1-1/2 40	2 50	2-1/2 65	3 80	4 100
End-to-end, Fig. A114	A	3.75 95	3.75 95	4.38 111	5.13 130	6.50 165		8.06 205	
End-to-end, Fig. A115	A			5.50 140	6.50 165	7.50 191	8.25 210	9.00 229	9.00 229
Diameter of Flange	C			4.3 109	5.0 127	6.0 152	7.0 178	7.5 191	9.0 229
Thickness of Flange	D			.50 13	.63 16	.69 18	.75 19	.81 21	1.00 25
Center to Top	E	3.9 98	3.9 98	3.9 98	4.8 120	4.8 120	5.6 142	6.3 160	7.1 180
Center to Bottom	F	1.9 49	1.9 49	1.9 49	2.4 60	2.4 60	2.5 62	4.0 103	4.6 117
Removal Clearance	G	3.4 86	3.4 86	3.4 86	3.6 92	3.6 92	3.6 92	3.6 92	4.0 101
Center to Back	H	1.3 33	1.3 33	1.3 33	1.6 40	1.6 40	2.0 50	2.4 60	2.7 69
Width of Flat	J	.81 21	.81 21	.81 21	1.00 25	1.00 25	1.25 32	1.25 32	1.38 35
Diameter of Shank	K	1.06 27	1.06 27	1.06 27	1.38 35	1.38 35	1.75 44	1.75 44	1.94 49
Height of Flat	L	.9 22	.9 22	.9 22	1.0 25	1.0 25	1.3 33	1.3 33	1.5 38
Center to Fitting	M	2.9 74	2.9 74	2.9 74	3.2 80	3.2 80	3.1 79	3.2 80	3.5 89
Center to Fitting	N	1.4 35	1.4 35	1.4 35	1.7 44	1.7 44	2.6 67	3.1 79	3.5 90
Center to Top of Pad (Flange End Only)	P			2.25 57	2.52 64	3.10 79	3.56 93	3.75 95	4.50 114
Length of Actuator Pad (Flange End Only)	Q			2.62 67	3.16 80	3.16 80	3.65 93	3.65 93	6.00 152
Wrench	-	SN-1	SN-1	SN-1	SN-2	SN-2	SN-4*	SN-4*	M-9
Length of Wrench	-	7.0 178	7.0 178	7.0 178	10.5 267	10.5 267	15.0 381	15.0 381	21.0 533
Weight (Approx.) Fig. A114	-	7 3	7 3	7 3	12 5	14 6		44 20	
Weight (Approx.) Fig. A115	-			10 4	17 8	21 10	38 17	55 25	79 36

\* Use the longer SN-3 wrench for valves in cold climates such as Canada.

**Flowserve - Sulphur Springs Operations**

1511 Jefferson Street  
Sulphur Springs, Texas 75482  
USA

1-800-225-6989  
E-mail: nmkt@flowserve.com  
or visit www.flowserve.com

Flowserve Corporation has established industry leadership in the design and manufacture of its products. When properly selected, this Flowserve product is designed to perform its intended function safely during its useful life. However, the purchaser or user of Flowserve products should be aware that Flowserve products might be used in numerous applications under a wide variety of industrial service conditions. Although Flowserve can (and often does) provide general guidelines, it cannot provide specific data and warnings for all possible applications. The purchaser/user must therefore assume the ultimate responsibility for the proper sizing and selection, installation, operation, and maintenance of Flowserve products. The purchaser/user should read and understand the Installation Operation Maintenance (IOM) instructions included with the product, and train its employees and contractors in the safe use of Flowserve products in connection with the specific application.

While the information and specifications contained in this literature are believed to be accurate, they are supplied for informative purposes only and should not be considered certified or as a guarantee of satisfactory results by reliance thereon. Nothing contained herein is to be construed as a warranty or guarantee, express or implied, regarding any matter with respect to this product. Because Flowserve is continually improving and upgrading its product design, the specifications, dimensions and information contained herein are subject to change without notice. Should any question arise concerning these provisions, the purchaser/user should contact Flowserve Corporation at any one of its worldwide operations or offices.