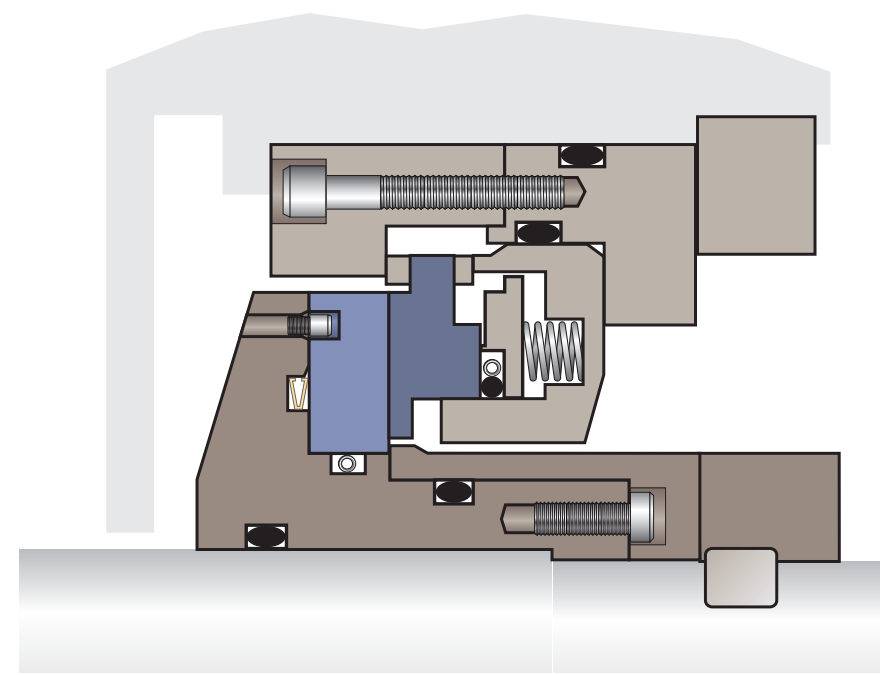
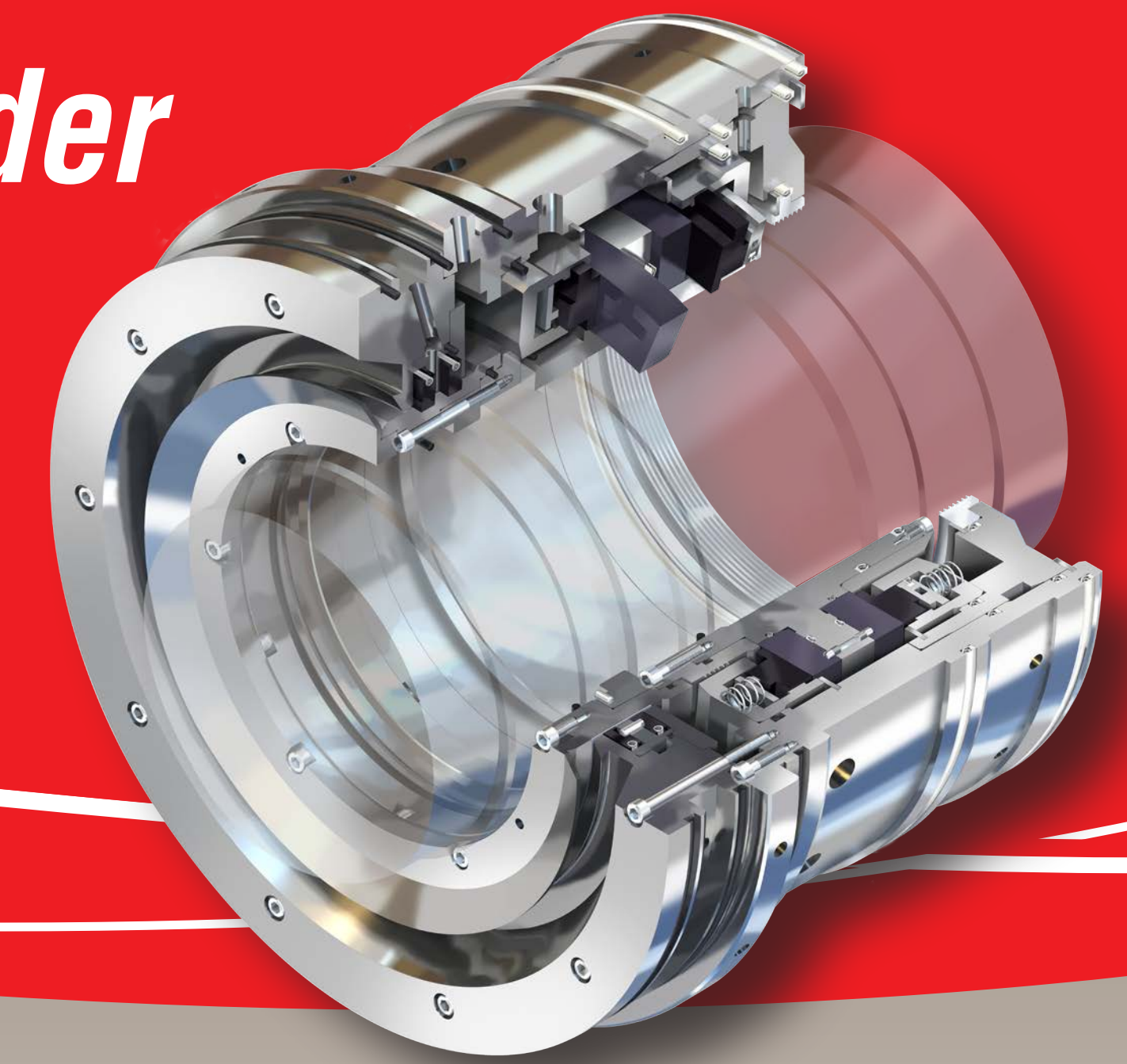


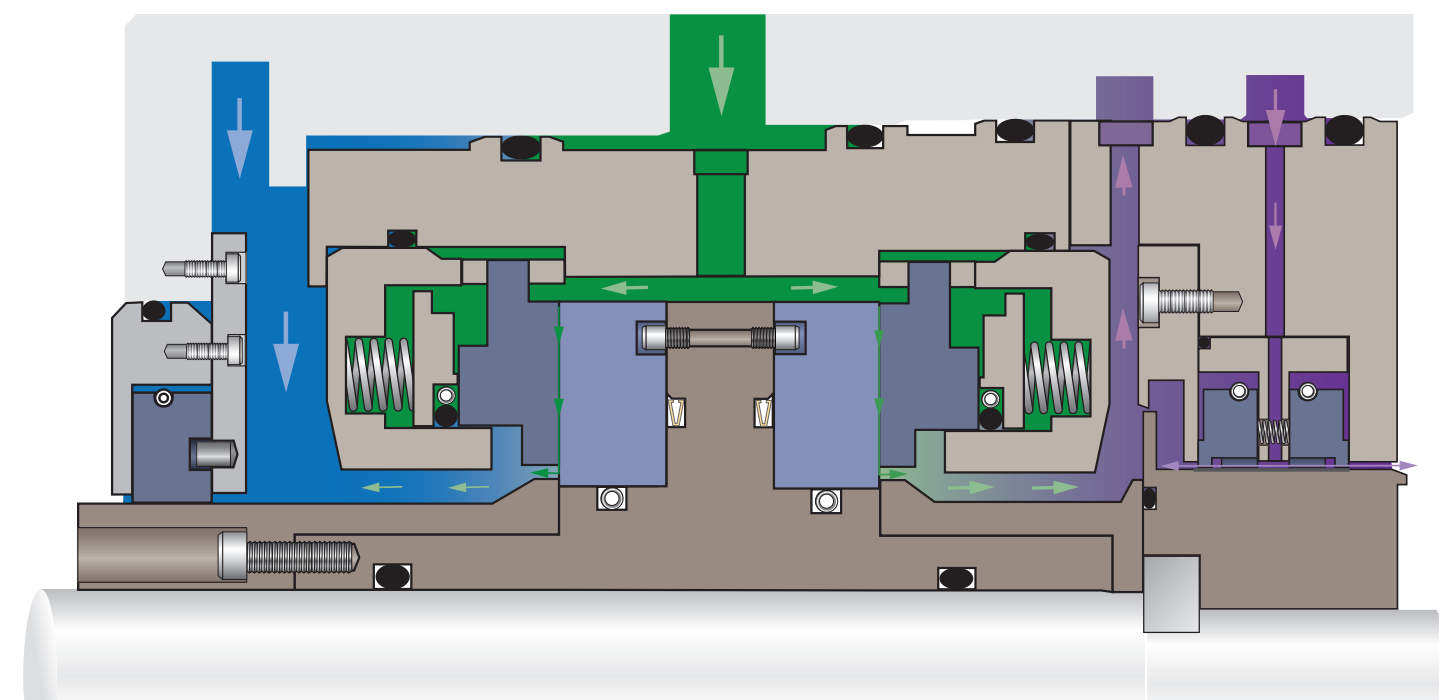


Gaspac[®] dry gas seals

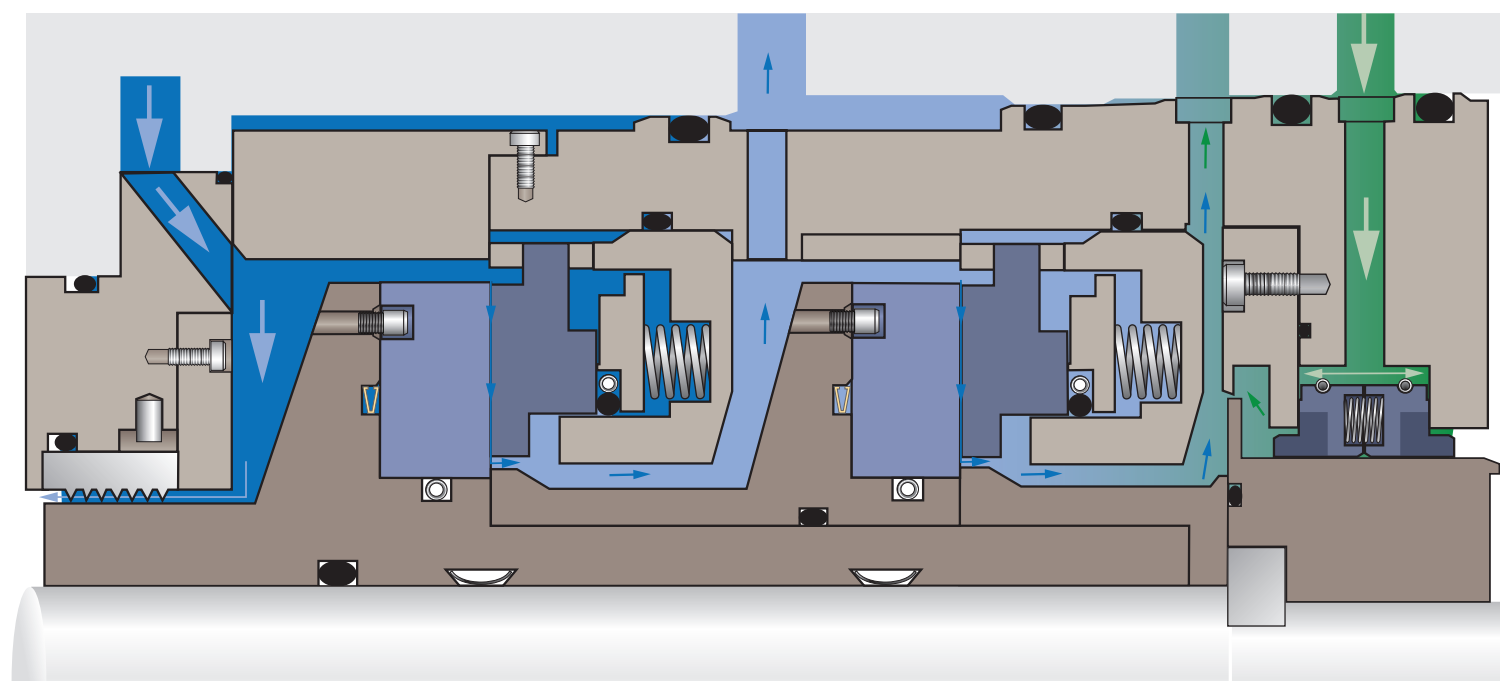
The technology leader
in turbomachinery
sealing solutions



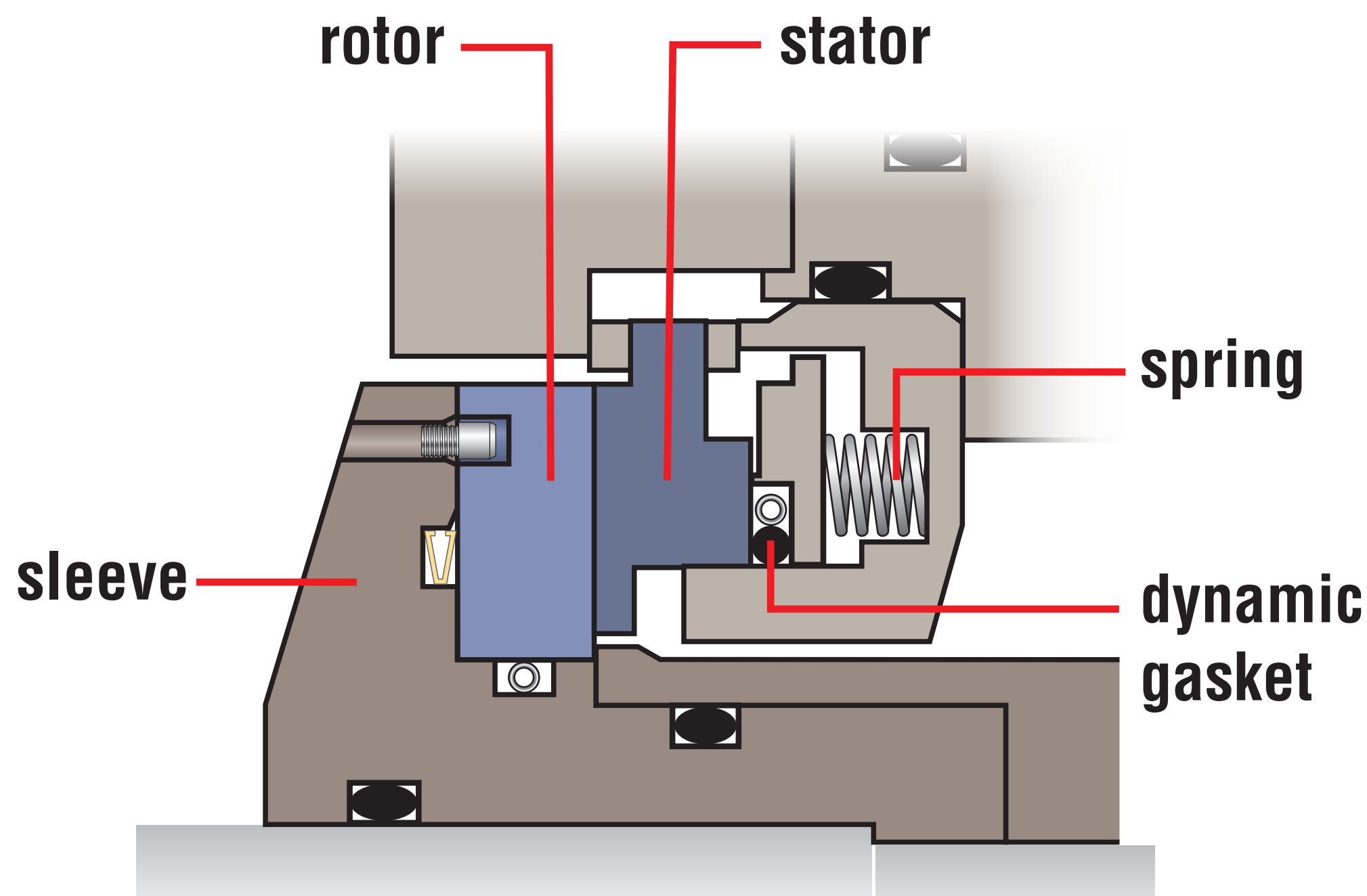
Gaspac S
single dry gas seal arrangement



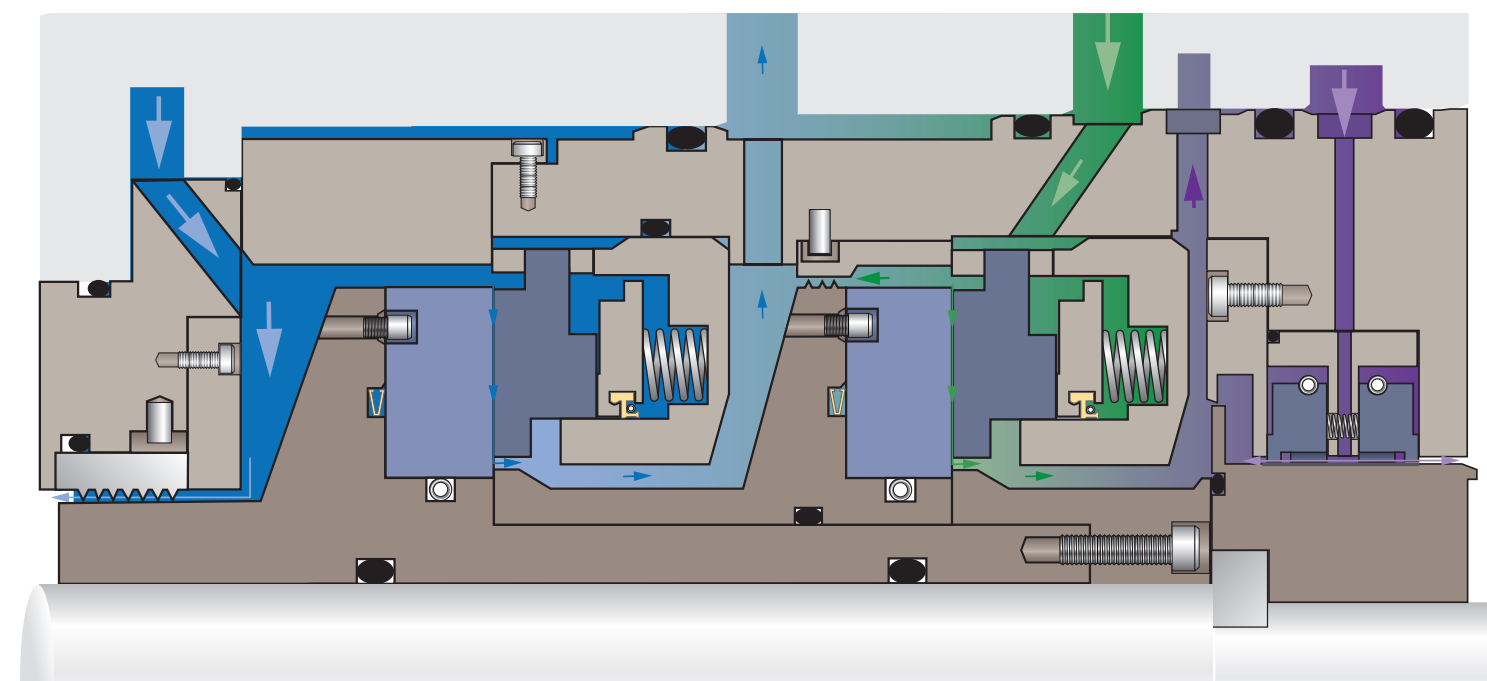
Gaspac D
double dry gas seal with Circpac[™] carbon rings for process and separation seal



Gaspac T
tandem dry gas seal with process labyrinth and Circpac LO separation seal



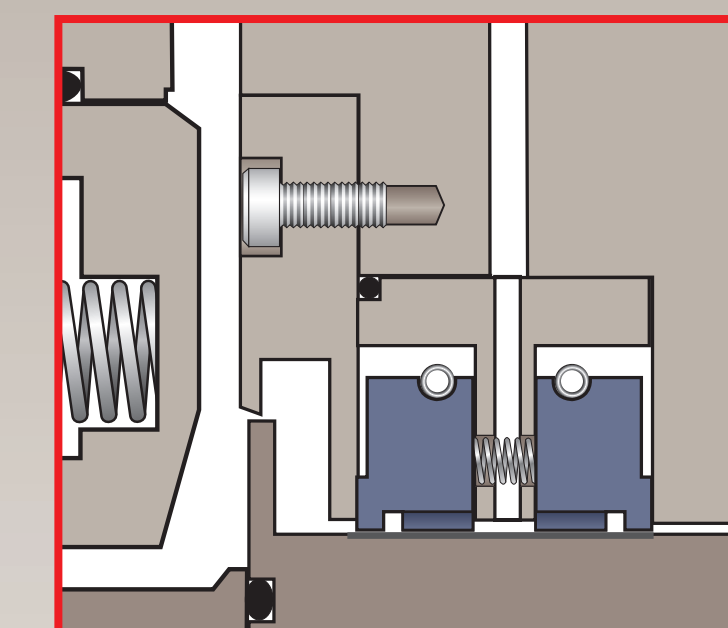
The heart of a Gaspac



Gaspac L
tandem dry gas seal with interstage labyrinth, process labyrinth and Circpac separation seal

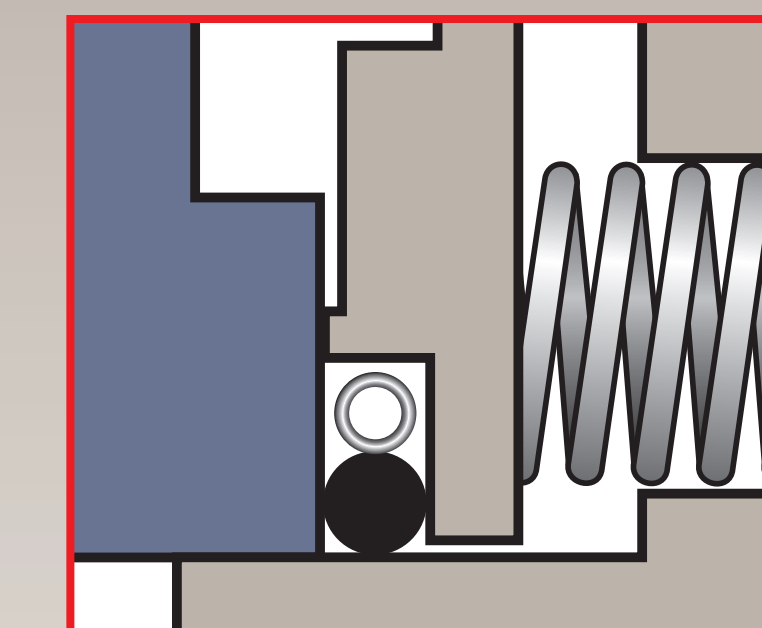
Advanced features enhance reliability

Circpac



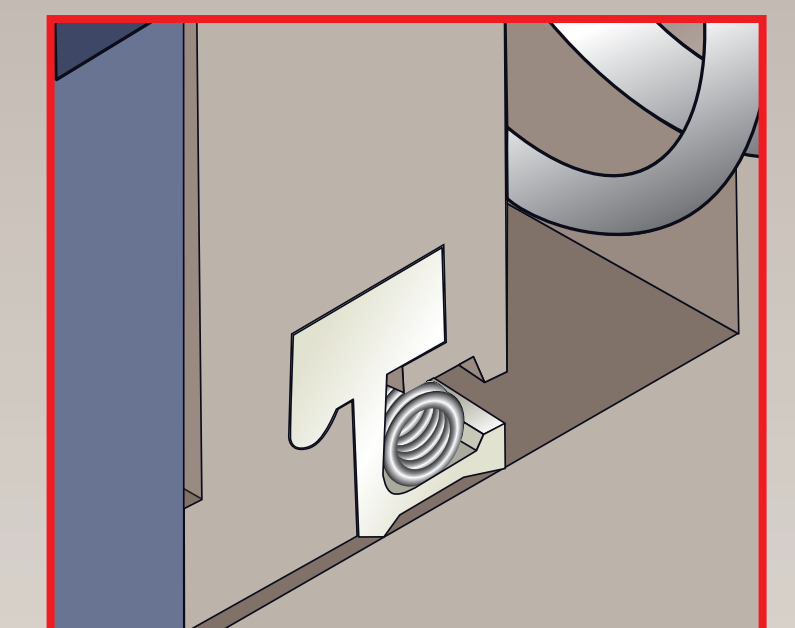
Non-contacting, bi-directional segmented carbon rings protect the dry gas seal from oil contamination.

SEO - spring energized O-Ring



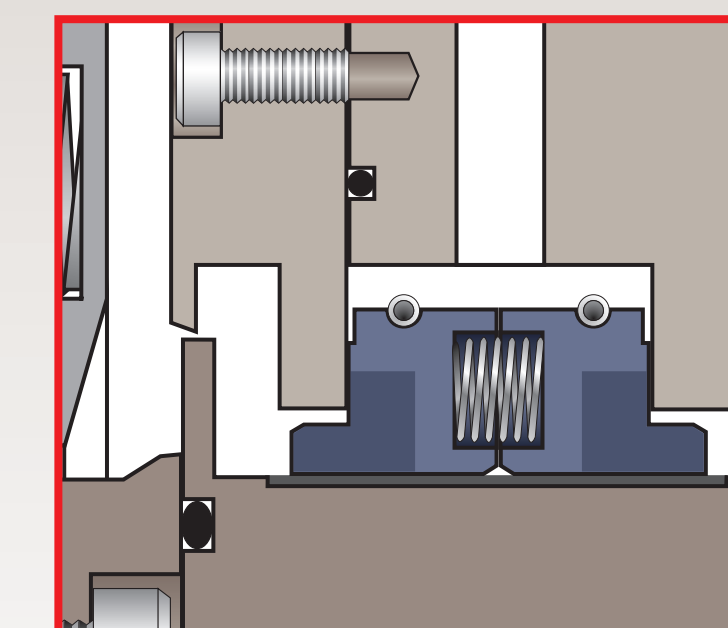
LoDrag[™] secondary dynamic seal provides radial compression to seal the gas medium. Live loading of the dynamic o-ring reduces slip-stick hang-up.

PTFE J-Ring



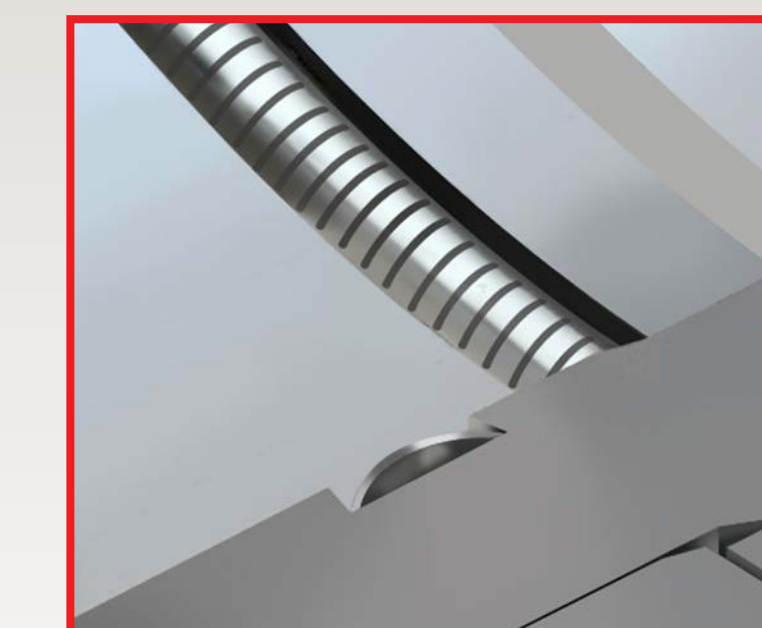
Extends the operating temperature and pressure range. Greater resistance to explosive decompression and chemical attack compared to traditional o-rings.

Circpac LO



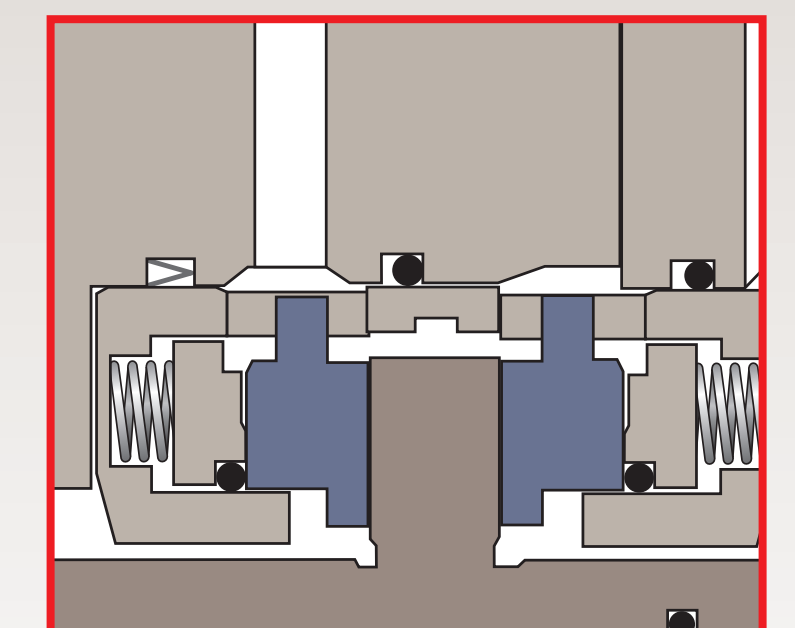
Engineered segmented carbon ring that is a non-contacting lift-off design with minimized clearances for low gas consumption and allows for same gas consumption under static and dynamic conditions.

Engineered centering strip



Used on seals that exceed the size and speed permitted for o-rings to center the sleeve on the shaft. The centering strip is fully captured in a dovetail groove.

Gaspac Integrated Rotor



A ductile rotor/sleeve dry gas seal reduces the risk of brittle rotating seal face failure and the associated consequential effects to the equipment. The ductile rotor design is commonly used in high speed gear compressors and turbo-expander applications as well as in machines having a limited seal cavity area.

FTA210eng ORG 1-15 © 2015 Flowserve Corporation