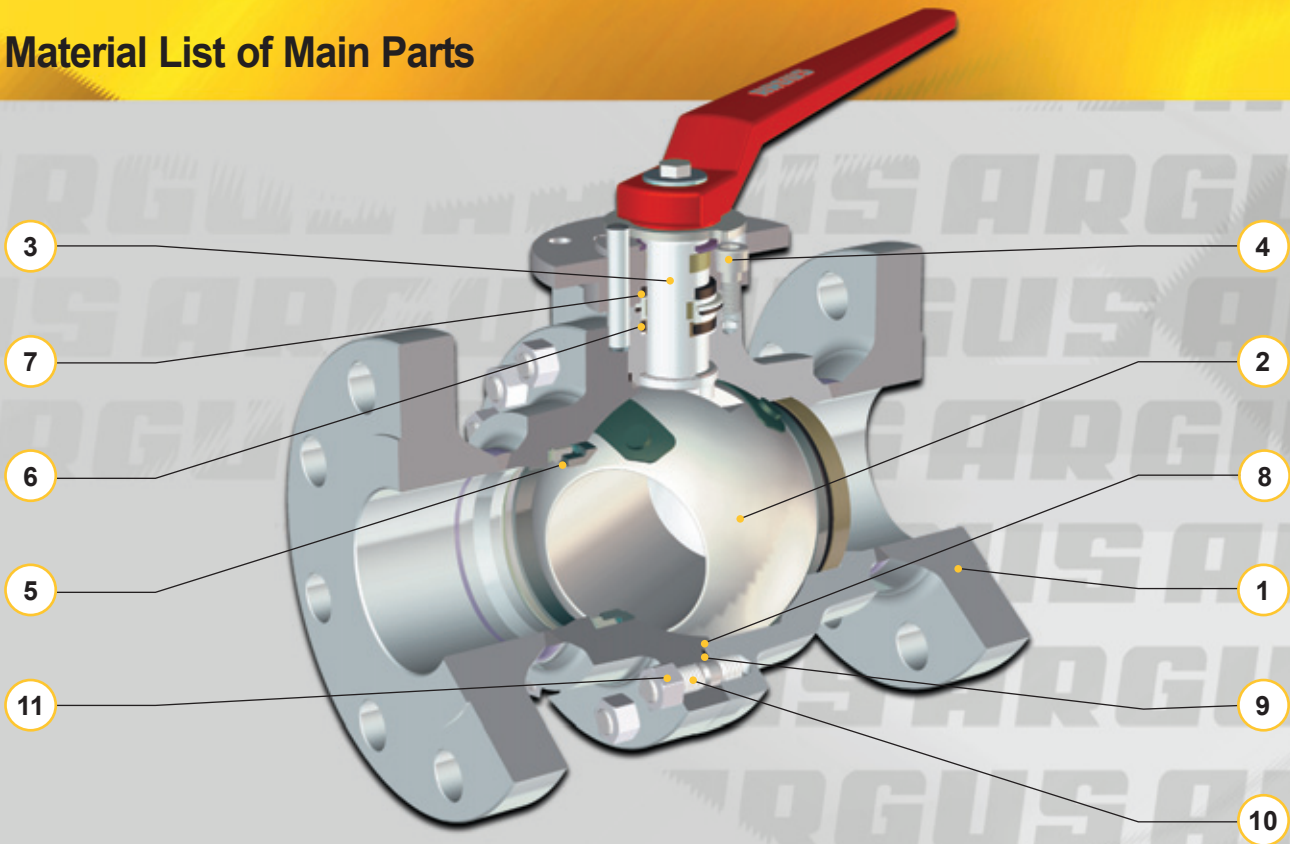


Material List of Main Parts



Item	Description	Material Specification	Nearest Typical ASTM-Equivalent
1	Body / Flange	CS Low Temp. 1.0566 CS Low Temp. A350 LF2 SS 1.4571 SS 1.4581	A350 LF2 A182 F316Ti
2	Ball	CR13 1.4027 SS 1.4408 SS Duplex hardfaced	A217 Gr. CA15 A351 CF8M A182 F51
3	Stem	CR13 1.4104 Duplex SS	Type 430 A182 F51
4	Gland Bolts	5.6 A4-70	
5	Ball Seats	PTFE SS hardfaced	
6	Primary Stem Seal	PTFE; FPM; MFQ	
7	Secondary Stem Seal	Celastic	
8	Primary Body Seal	PTFE; FPM; MFQ	
9	Secondary Body Seal	Celastic	
10	Bolts	A193 B7 (ASTM) A193 B8MN (ASTM)	
11	Nuts	A194 Gr.4 (ASTM) A194 8M (ASTM)	

DN 80-200 ANSI Cl. 150 Full Bore
DN 150-250 ANSI Cl. 150 Reduced Bore
DN 80-100 ANSI Cl. 300 Full Bore
DN 150 ANSI Cl. 300 Reduced Bore

Description:

The FK 75M ball valve with its many innovative design features represents the highest standards in valve technology and is designed to meet the API-6D, ANSI 16.34 and BS 5351 requirements. Long lifetime and low operating torques due to the clear separation between the sealing and bearing functions.

Design:

Split body design with superfine finished padmounted ball, anti-blow-out stem, spring loaded ball seats with cavity relief and anti-static device. Long life double stem seal system and stem supported in bearings to ensure seals are free from operating loads. Stem sealing construction complies with the latest TA-Luft and EPA (method 21) fugitive emissions requirements.

Fire safe to BS 6755 and API 607.

DIN/ISO 5211 mounting plate for easy assembly with actuators included.

Accessories and Options:

- Limit switches
- Locking devices
- Extended wrenches
- Stem extensions
- Steam jackets for indirect process heating
- Metal to metal seats
- Drain and vent/bleed connections

Standard Material Combinations (preferably to order – short delivery time):

ANSI	Cl. 150-300	Cl. 150-300	Cl. 150-300	Cl. 150-300
Mat.-Code	1805408552	140540D552	440540D552	1E8N8F8552
Body	CS Low Temp.	CS Low Temp.	SS	CS Low Temp.
Ball/Stem	CR13	SS/Duplex SS	SS/Duplex SS	CR13 hardfaced/CR13
Ball Seats	PTFE	PTFE	PTFE	CR13 hardfaced
Stem Seals	PTFE/Celastc	PTFE/Celastc	PTFE/Celastc	PTFE/Celastc
Body Seals	PTFE/Celastc	PTFE/Celastc	PTFE/Celastc	PTFE/Celastc
Seat Springs	SS	SS	SS	SS